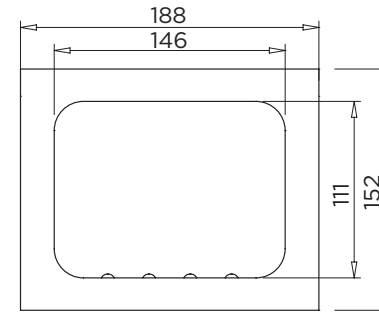
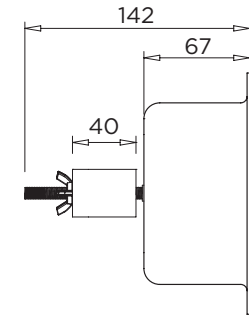


Rear Elevation



Front Elevation



Side Elevation

SSH

Security Soap Holder

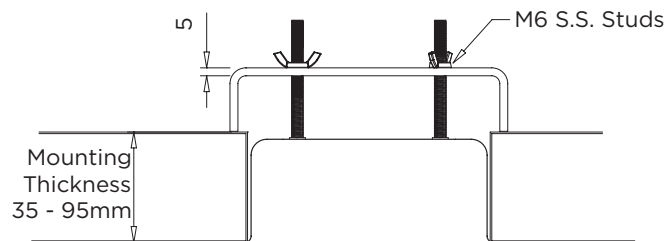
Ligature and vandal resistant soap holder ideal for correctional facilities and holding cells.

Manufactured from heavy gauge, satin finish grade 304 stainless steel. Designed to be installed flush-fit to. Available as rear fixed model (shown) or for front fixing (4 x front fixing holes) where required

SSH-FF : Front Fixed

SSH-RF: Rear Fixed

SIZE W188 x H152 x D142mm



Plan

