



## features and benefits

- Sits flush with benchtop
- 1.2mm grade 304 satin stainless
- Seamless, hygienic design
- Supplied with 50mm waste outlet
- Fully reversible
- Custom sizes available
- Optional extended hob for tapware
- Available integrated into stainless benchtops

## about

The BRITEX Stainless Steel Baby Bath is manufactured from 1.2mm grade 304 satin finish stainless steel. Stainless steel baby baths are supplied complete with 50mm waste outlet and can be inset into a bench top or integrated into a benchtop if required. Custom sizes available upon request.

## sample spec. text

BRITEX S.S. Baby Bath - 650mm L x 490mm Wide x 215mm Deep O/A. Grade 304 stainless steel. 32mm flange to all sides supplied complete with fixing studs to underside and 50mm waste outlet - Product Code US-BB1

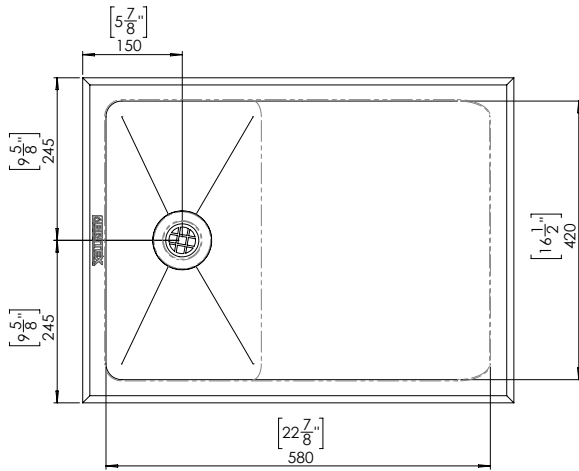
\*RED TEXT may denote a **variable** where one option only is to be selected, a **nominal dimension** that needs to be specified, or an **optional feature** that can be removed if not required. Please refer to the back of this page for additional specification details and options.

VISIT [BRITEXUSA.COM](http://BRITEXUSA.COM) TO DOWNLOAD THE MOST CURRENT PRODUCT LITERATURE.

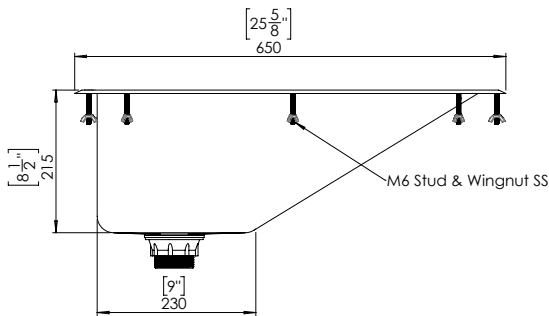
# BABY BATH

PRODUCT CODE

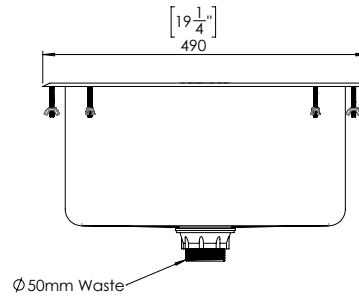
**US-BB1**



MODEL US-BB1 Plan



MODEL US-BB1 Front Elevation



MODEL US-BB1 Side Elevation



When specifying this product please include:

- Product Name and Code
- Product Features
- Product Dimensions



- Integrated into stainless benchtops
- Fascia style available
- Extended hob to one side to accommodate tapware

VISIT [BRITEXUSA.COM](http://BRITEXUSA.COM) TO DOWNLOAD THE MOST CURRENT PRODUCT LITERATURE.

Last Revised Jun 2023 | Revision A



Due to ongoing research and our commitment to product development, details are subject to change without notice. Details accurate at time of print. Please refer to [britex.com.au](http://britex.com.au) for the most current product information. Allow +/- 5mm tolerance for dimensions and setouts shown in product literature.