

# COMBINATION BOOT WASH UNIT

7.18

COMMERCIAL SINKS

#US-CBWU / COMBINATION BOOT WASH UNIT



## features and benefits

- Supplied pre-plumbed ready to install - supplied with lever action tapware
- Detachable brush for easy manoeuvre boot cleaning
- Easy to clean and maintain
- Adjustable Legs
- Grade 304 stainless steel (16/18 gauge)
- Ideal for abattoirs, quarantine areas, hatcheries and agricultural facilities

## about

The *BRITEX Stainless Steel Combination Boot Wash Unit* is designed to avoid transfer of potentially harmful substances in Abattoirs, Quarantine Areas, Hatcheries and Agricultural Facilities. Lever action tapware is supplied preplumbed on the integrated hand basin and detachable brush allows for easy manoeuvring for a better boot wash. Manufactured from durable 1.2mm grade 304 S.S. the Boot Wash Unit also incorporates an elevated foot platform for balance and to prevent cross contamination.

## sample spec. text

*BRITEX Combination Boot Wash Unit - Grade 304 stainless steel. Supplied complete with preplumbed basin, detachable boot wash brush and elevated foot platform- Product Code US-CBWU*

\*RED TEXT may denote a **variable** where one option only is to be selected, a **nominal dimension** that needs to be specified, or an **optional feature** that can be removed if not required. Please refer to the back of this page for additional specification details and options.

VISIT [BRITEXUSA.COM](http://BRITEXUSA.COM) TO DOWNLOAD BIM FILES, CAD DRAWINGS AND THE MOST CURRENT PRODUCT LITERATURE

# COMBINATION BOOT WASH UNIT

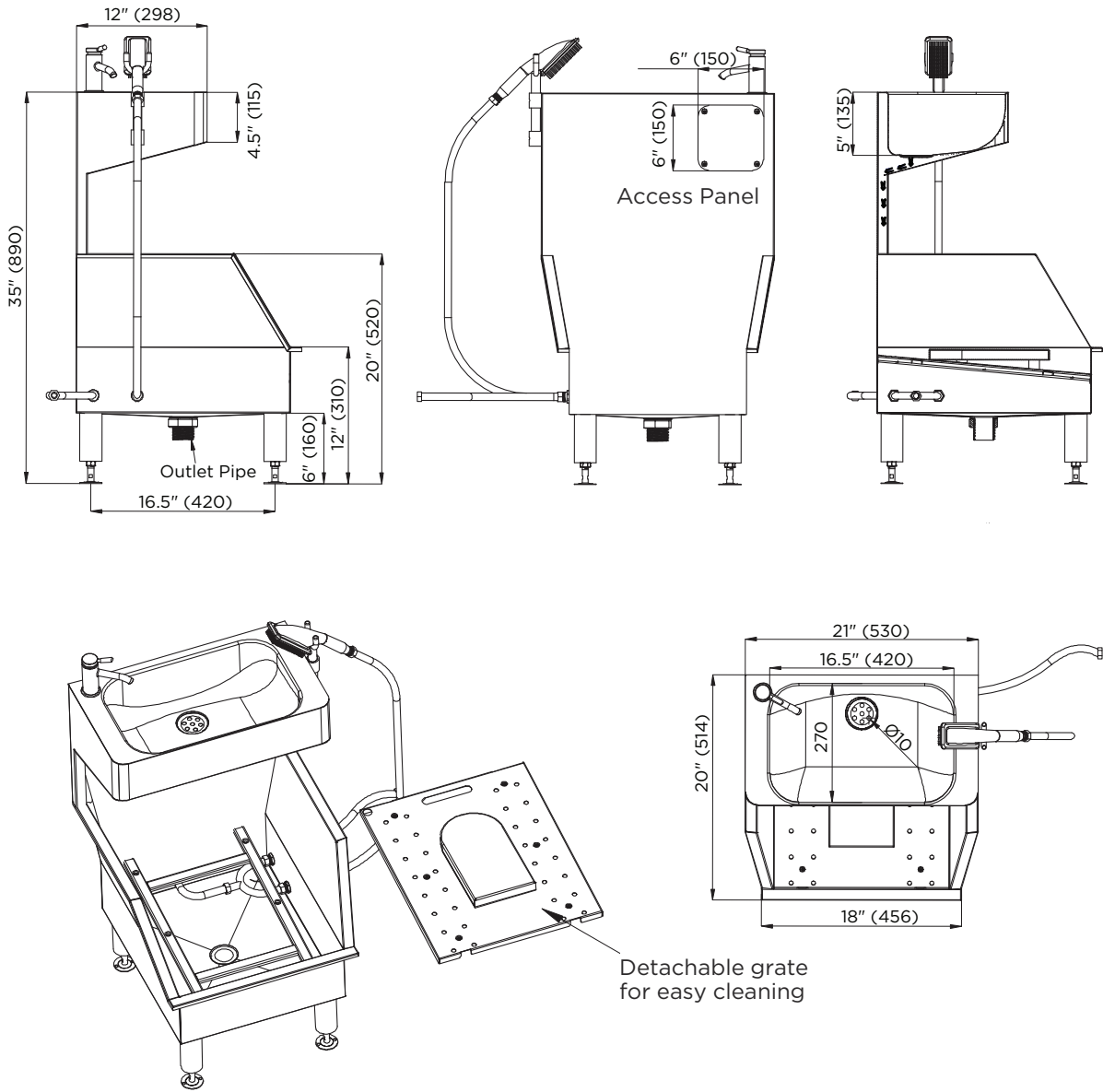
PRODUCT CODE

## US-CBWU

7.18

COMMERCIAL SINKS

#US-CBWU / COMBINATION BOOT WASH UNIT



*When specifying this product please include:*

- Product **Name** and **Code**
- Product **Dimensions**
- Product **Features**
- **Tapware** details (if required)

specifying guide

B

VISIT [BRITEXUSA.COM](http://BRITEXUSA.COM) TO DOWNLOAD BIM FILES, CAD DRAWINGS AND THE MOST CURRENT PRODUCT LITERATURE



Due to ongoing research and our commitment to product development, details are subject to change without notice. Details accurate at time of print. Please refer to [britex.com.au](http://britex.com.au) for the most current product information. Allow +/- 5mm tolerance for dimensions and setouts shown in product literature.

[britexusa.com](http://britexusa.com)