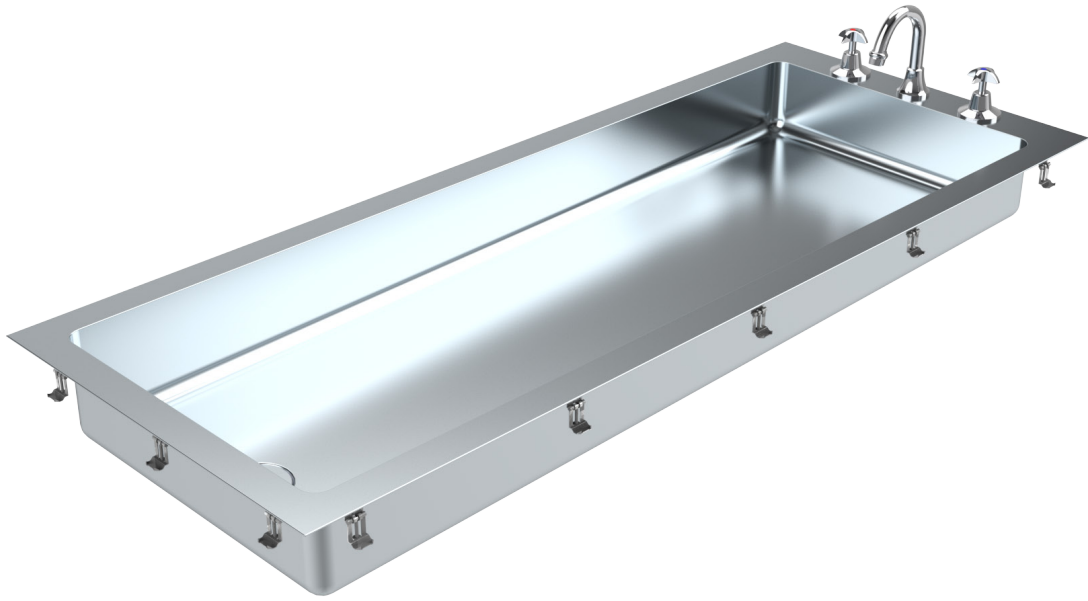


# INSET PHOTO TROUGH



*Image shows Model with optional tapware US-LPTI-TW-SET-02-1800-S  
Inset Photo Trough 1800mm long with Fixed Spout Basin Set and Stainless Waste*

## features and benefits

- Inset model only
- Grade 316 acid resistant S.S.
- Standard and custom lengths
- Radius internal corners - easy cleaning
- Optional acid resistant S.S. waste
- Wide end flange for mounting tapware
- Fully welded construction
- Supplied with fixing studs and clips
- Optional tapware

## about

The *BRITEX Stainless Steel Photo Trough* is designed to be used in dark rooms for developing photographs. An extra wide flange at one end allows for taps to be mounted into a secure, hygienic surface whilst internal bowl radius corners ensure trough is easy to keep clean and maintain. Made from 1.2mm grade 316 stainless steel it is available in custom lengths if required and an acid resistant waste outlet is optional.

## sample spec. text

*BRITEX grade 316 S.S. Inset Photo Trough - 1800L x 600W x 150D O/A. Complete with X No. tap holes and BRITEX Stainless Steel 50mm WaterMark certified Waste Outlet made from acid resistant grade 316 S.S.  
- Product Code US-LPTI*

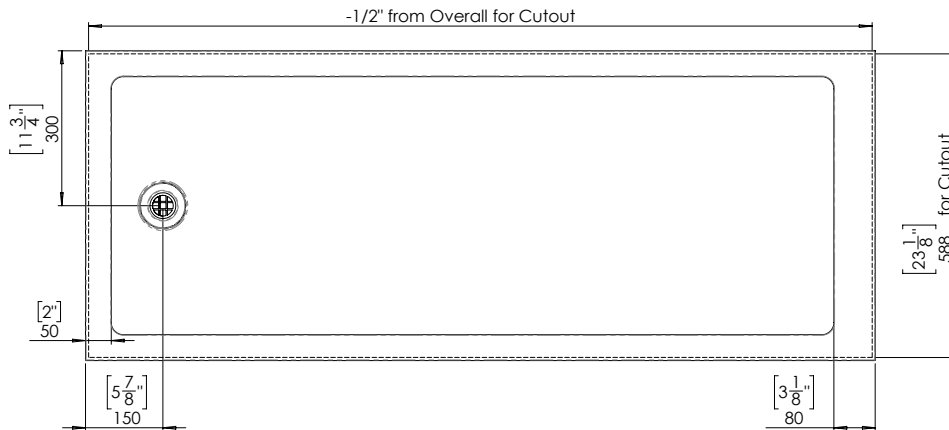
\*RED TEXT may denote a **variable** where one option only is to be selected, a **nominal dimension** that needs to be specified, or an **optional feature** that can be removed if not required. Please refer to the back of this page for additional specification details and options.

VISIT [BRITEXUSA.COM](http://BRITEXUSA.COM) TO DOWNLOAD THE MOST CURRENT PRODUCT LITERATURE.

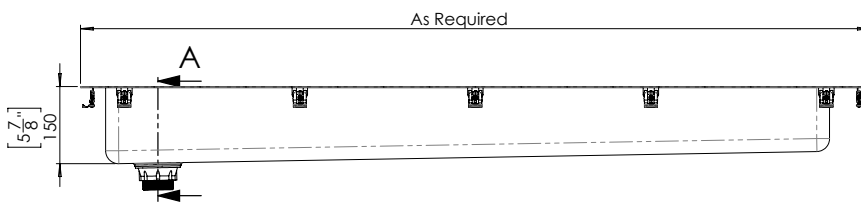
# INSET PHOTO TROUGH

PRODUCT CODE

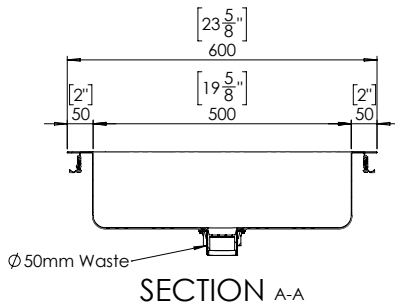
## US-LPTI



MODEL US-LPTI Plan Elevation



MODEL US-LPTI Front Elevation



MODEL US-TCAI Side Elevation

*When specifying this product please include:*

- Product Name and Code
- Product Dimensions

specifying guide

options

- Custom trough dimensions
- Custom waste sizes

VISIT [BRITEXUSA.COM](http://BRITEXUSA.COM) TO DOWNLOAD THE MOST CURRENT PRODUCT LITERATURE.

Last Revised May 2023