

ANGULAR SECURITY COMBINATION UNIT

WITH GRANDEUR PAN

ADA



features and benefits

- 14-gauge type 304 stainless steel
- Consistently specified for maximum security facilities
- No ligature points
- Front access
- Contraband-proof
- Anti-ligature skirt
- Concealed fixings
- Contour Pan for ease of cleaning
- Optional pan angles available
- Space-saving design
- Optional integral toilet roll holder
- Security tapware optional
- Ligature proof basin waste outlet
- Water efficient flushing
- ADA Compliant
- Suits detention facilities, pubs and parks and recreation
- Tested with an approved flush valve with 1.6 GPF

about

BRITEX Stainless Steel ADA Angular Security Combination Unit with Grandeur Pans are consistently selected by specifiers for prisons, holding cells and detention facilities that require optimal vandal resistance and ADA compliant. They incorporate a fully welded stainless steel contour toilet pan with optional orientation and wash basin for ease of cleaning. The toilet pan has a contraband-proof flushing rim and one piece pressed bowl that provides water efficient flushing. A ligature-proof security waste is supplied with the basin and optional extras include security tapware, access panel and toilet pan flushing mechanism. Numerous fixing points are provided for fixing to the floor and rear wall.

sample spec. text

BRITEX S.S. ADA Angular Security Combination Unit with Grandeur Pan - Incorporating contour security pan with safety radius front edge and basin with safety radius front edge, security waste outlet - Product Code US-SCUD-PGA

*RED TEXT may denote a **variable** where one option only is to be selected, a **nominal dimension** that needs to be specified, or an **optional feature** that can be removed if not required. Please refer to the back of this page for additional specification details and options.

VISIT BRITEXUSA.COM TO DOWNLOAD THE MOST CURRENT PRODUCT LITERATURE.

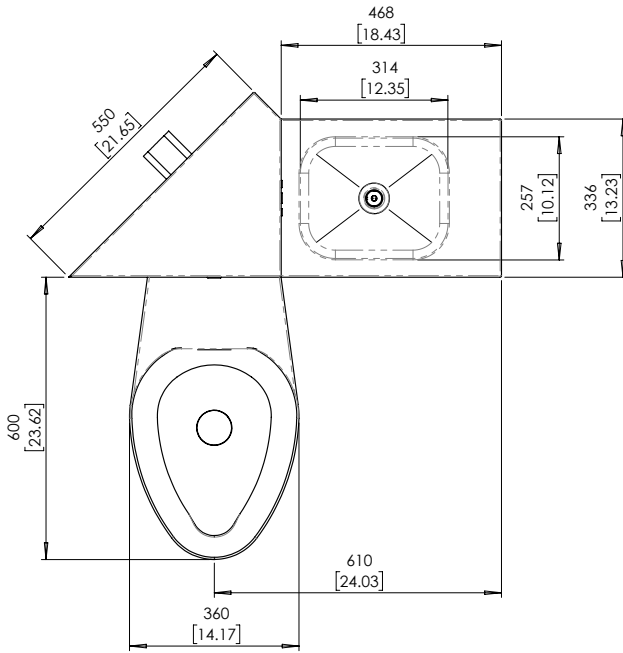
ANGULAR SECURITY COMBINATION UNIT WITH GRANDEUR PAN

PRODUCT CODE

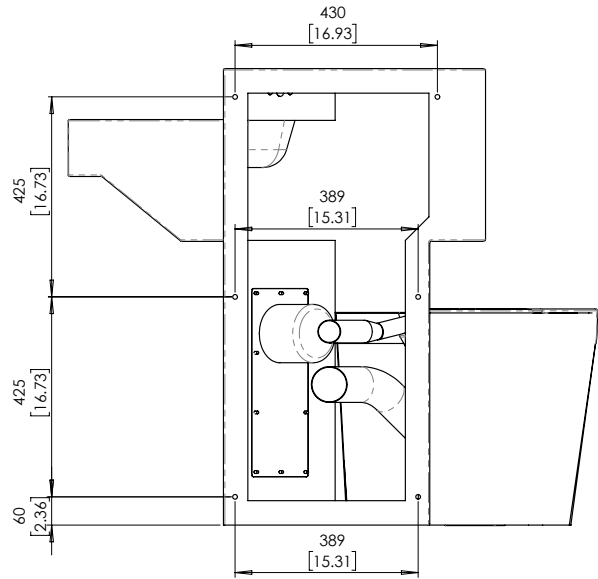
US-SCUD-PGA

WC / TOILETS

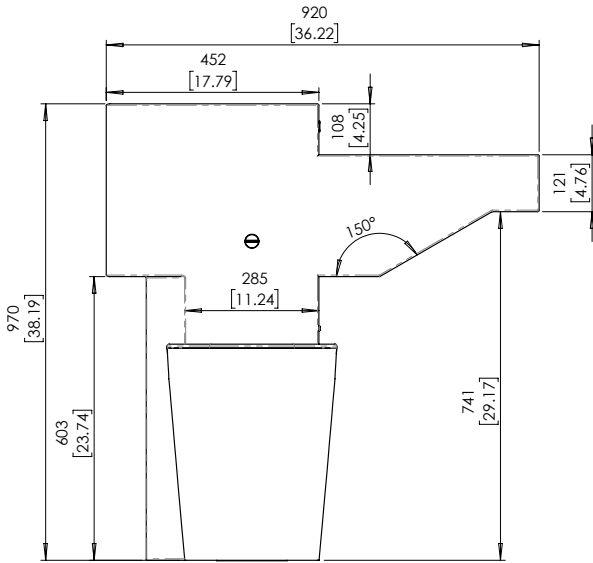
#US-SCUD-PGA / ANGULAR SECURITY COMBINATION UNIT



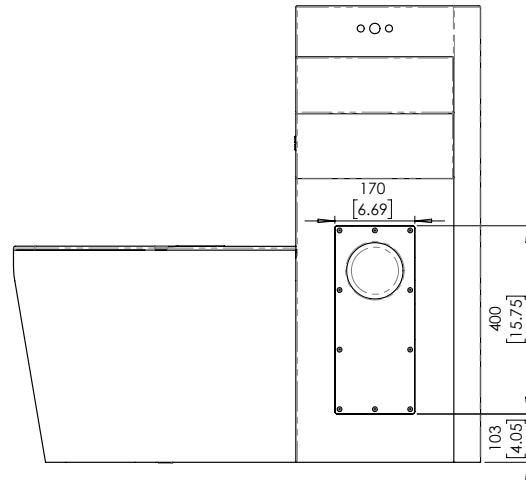
MODEL US-SCUD-PGA Plan View



MODEL US-SCUD-PGA Rear View



MODEL US-SCUD-PGA Front Elevation



MODEL US-SCUD-PGA Side Elevation



When specifying this product please include:

- Product Name and Code
- Product Features / Options



- See next page

VISIT BRITEXUSA.COM TO DOWNLOAD THE MOST CURRENT PRODUCT LITERATURE.

Last Revised: Apr 2023 | Revision A

ANGULAR SECURITY COMBINATION UNIT WITH GRANDEUR PAN

PRODUCT CODE

US-SCUD-PGA

options

When specifying this product please select:

- Product Name and Code
- Product Features / Options

Toilet Pan Angle

Left QTY

Right QTY

Front Access

Yes

No

Hemispherical Bubbler

Yes

No

Metering

Yes

No

Hot & Cold

Yes

No

Fixture Mounted Grab Rail

(Wall Mounted Grab Rail Not Provided)

Yes

No

Toilet Paper Holder

Yes

No

Ligature Resistant Skirt

Yes

No

Wall Sleeve

Yes

No

Additional Needs or Requests

VISIT BRITEXUSA.COM TO DOWNLOAD THE MOST CURRENT PRODUCT LITERATURE.

Last Revised: Apr 2023 | Revision A