

# OUTDOOR LEARNING TROUGH

TROUGHs

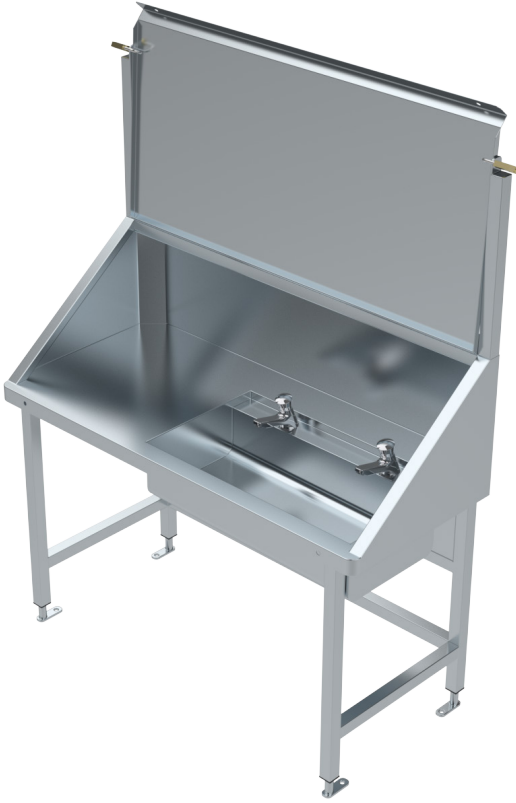


Image shows Model US-TP9 with optional Push Button Taps

### features and benefits

- Suits Covered Outdoor Learning Areas (COLA) in education projects
- Concealed tapware connections
- Radius external corners - added safety
- Lockable lid to protect fixture when not in use
- Commercial grade 304 S.S.
- 50mm waste supplied
- Standard lengths
- Strong, integral SHS S.S. support frame

### about

The BRITEX Stainless Steel Outdoor Learning Trough is designed specifically to conform to education department standards for Covered Outdoor Learning Areas (COLA) and incorporates rear hob for mounting hand wash taps, bench space, extended rear splashback and radius front and rear corners for added safety - as well as a lockable lid that protects tapware outside of school hours. A support frame underneath with adjustable feet provides a strong, free standing base.

### sample spec. text

*Trough Only (no tapware): Trough Only (no tapware): BRITEX S.S. Outdoor Learning Trough - 1100L x 500W x 950H. Complete with lockable lid, radius external corners, right hand bowl to be 600 x 335 x 150 O/A with 50mm waste, 300mm upstand to rear, and 32mm SHS stainless steel frame under - Product Code US-TP9*

VISIT [BRITEXUSA.COM](http://BRITEXUSA.COM) TO DOWNLOAD THE MOST CURRENT PRODUCT LITERATURE.

#US-TP9 / OUTDOOR LEARNING TROUGH

# OUTDOOR LEARNING TROUGH

PRODUCT CODE

## US-TP9

### HOW TO SPECIFY: Outdoor Learning Trough

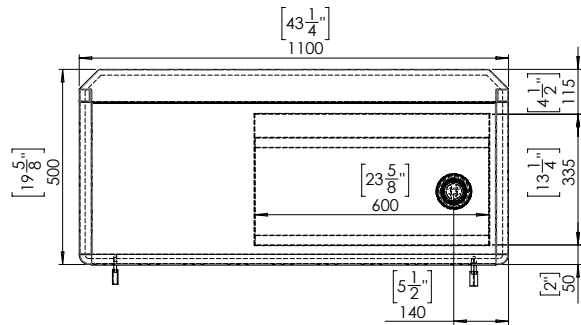
Sample Specification Code

A      B      C      D  
**US-TP9 - 1100 - 2 - TW-9101**

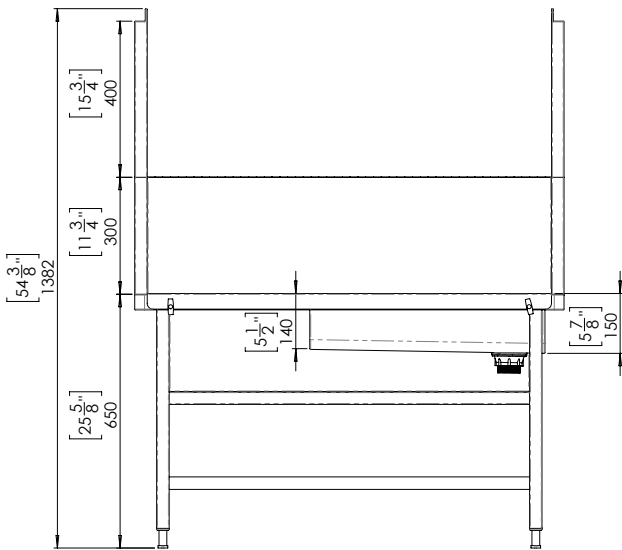
= Outdoor Learning Trough, 1100mm long, Preplumbed with 2 Eco Timed Flow Pillar Taps

#### Specification Key

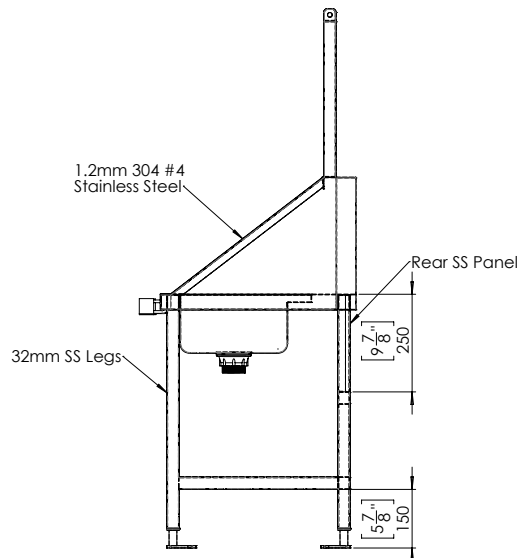
A = Product Code                      D = Tap Code  
 B = Trough Length (mm)              TW-9101  
 C = Number of taps



MODEL US-TP9 Plan



MODEL US-TP9 Front Elevation



MODEL US-TP9 Side Elevation

When specifying this product please include:

- Product Name and Code
- Product Dimensions
- Tapware details (if required)
- Tap Hole details

specifying guide

options

- Tap holes
- Pre-plumbed tapware

VISIT [BRITEXUSA.COM](http://BRITEXUSA.COM) TO DOWNLOAD THE MOST CURRENT PRODUCT LITERATURE.

Last Revised Jun 2023 | Revision A



Due to ongoing research and our commitment to product development, details are subject to change without notice. Details accurate at time of print. Please refer to [britex.com.au](http://britex.com.au) for the most current product information. Allow +/- 5mm tolerance for dimensions and setouts shown in product literature.