

SURGEON'S SCRUB TROUGH

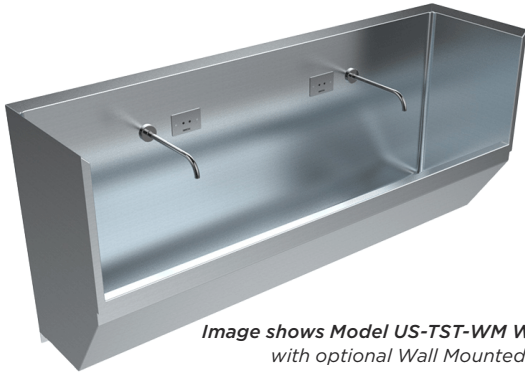
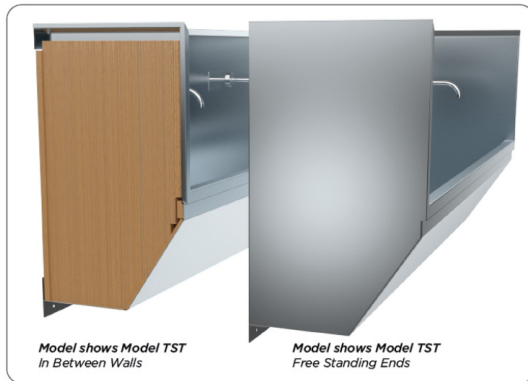


Image shows Model US-TST-WM Wall Mounted with optional Wall Mounted Sensor Taps



Image shows Model US-TST-FM Floor Mounted with optional Wall Mounted Sensor Taps



Model shows Model TST In Between Walls

Model shows Model TST Free Standing Ends

features and benefits

- Suits scrub up procedure
- Double skinned, robust construction
- Made from grade 304 or 316 acid resistant stainless
- Left or right hand waste position
- Fully welded internal surfaces for a seamless, hygienic finish
- 50mm waste supplied
- Radius internal corners - easy cleaning
- Made to custom lengths
- Optional sensor or lever tapware (refer Tapware section)
- Optional support frame & storage under
- Optional freestanding ends
- Optional splashback orientation
- Supplied with wall fixings
- Front fascia with drip cone

about

The BRITEX Stainless Steel Surgeon's Scrub Troughs are found in many of Australia's finest hospitals and medical facilities. Designed specifically to suit the requirements of scrub up procedures, they are 'double skinned' with 1.2mm grade 304 or grade 316 acid resisting stainless steel to ensure optimal hygiene standards. Upstands can be supplied to each end when between walls, or with upstand to rear only. All Scrub Troughs are custom made to length as required with outlets available at either left or right hand end. Additional options include sensor activated tapware and a support frame underneath with removable access panels for storage and maintenance.

sample spec. text

Trough Only (no tapware): BRITEX S.S. Surgeon's Scrub Trough - XXXXL x 480W. Floor/Wall mounted model. Grade 304/316 stainless steel. Double-skinned construction with 18mm HMR bonded substrate, front fascia with drip cone, splashback to rear and sides, complete with wall fixings and left/right hand 50mm waste outlet - Product Code US-TST

*RED TEXT may denote a variable where one option only is to be selected, a nominal dimension that needs to be specified, or an optional feature that can be removed if not required. Please refer to the back of this page for additional specification details and options.

VISIT BRITEXUSA.COM TO DOWNLOAD THE MOST CURRENT PRODUCT LITERATURE.

SURGEON'S SCRUB TROUGH

PRODUCT CODE

US-TST-WM Wall Mounted

PRODUCT CODE

US-TST-FM Floor Mounted

HOW TO SPECIFY: Surgeon's Scrub Trough

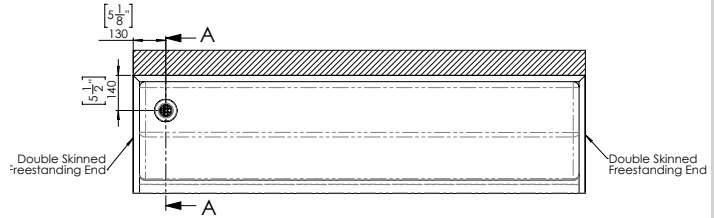
Sample Specification Code

 A B C D E F
US-TST - 1800 - FM - 316 - RO - R

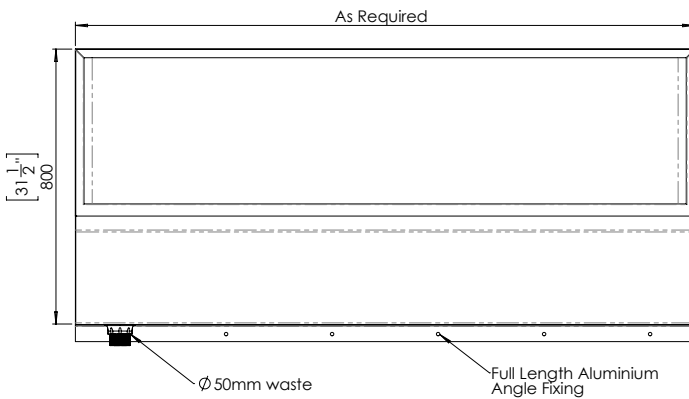
= Surgeon's Scrub Trough, Floor Mounted, Grade 316
 S.S. 1800mm long with Backsplash to Rear Only, Right
 Hand Waste

Specification Key

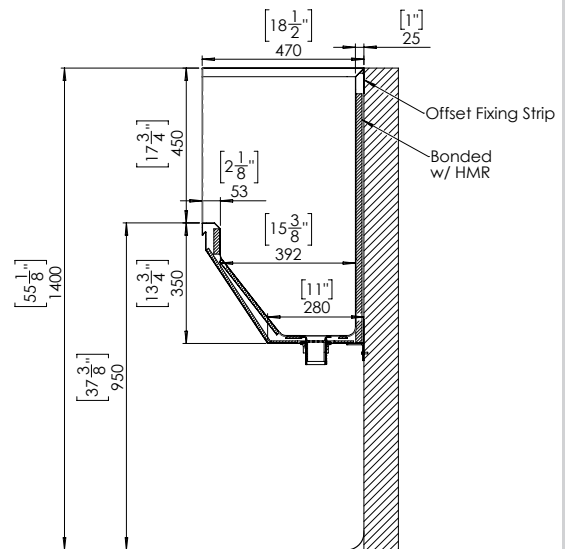
A = Product Code	E = Splashback Options
B = Trough Length (mm)	RO : Rear Only
C = Mounting Options	RE : Rear and Both Ends
FM : Floor Mount (supplied with removable access panels and support frame)	RL : Rear and Left End
WM : Wall Mount	RR : Rear and Right End
D = Grade of Stainless	F = Waste Outlet Position
304 : Commercial Grade	L : Left Hand Waste
316 : Acid Resistant Grade	R : Right Hand Waste



MODEL US-TST-WM/FM Plan



MODEL US-TST-WM Front Elevation



MODEL US-TST-WM Side Elevation

When specifying this product please include:



- Product Name and Code
- Product Dimensions
- Grade and Thickness of S.S.
- Tapware details (if required)
- Position of Waste Outlet (left/right)
- End Type - between walls or freestanding



- Floor Mounted or Wall Mounted
- 1.2mm or 1.6mm S.S.
- 304 or 316 grade S.S.
- Left or right hand waste

VISIT BRITEXUSA.COM TO DOWNLOAD THE MOST CURRENT PRODUCT LITERATURE.

Last Revised Jun 2023 | Revision A