

GRANDEUR HAND WASH BASIN



features and benefits

- Grade 304 SS (1.2mm -16/18 gauge)
- Optimal vandal resistance
- Fully welded, seamless construction
- Completely concealed plumbing
- P trap installation
- No sharp edges or corners
- Stylish, modern design
- 1 1/4" inch waste outlet supplied
- Concealed fixings
- Front and rear fixed models
- 7 litre bowl capacity
- 1, 2 or 3 tap holes
- Optional anti-ligature waste
- Suits detention projects, holding cells, bars and parks and recreation

about

The *BRITEX Stainless Steel Grandeur Basin* is a stylish looking fixture that incorporates prison - grade vandal resistance. Key to its design is a fully welded, and a radiused front. A rounded profile above and below the basin also ensures there are no ligature points and all fixing points are concealed. Plumbing connections are secure within the stainless steel shroud that can incorporate an access panel if fixing from the front and an anti-ligature security waste is optional. Can be supplied with security tapware for maximum vandal resistance.

sample spec. text

BRITEX S.S. Grandeur Hand Wash Basin - 450L x 400W x 300D O/A. Front/Rear fixed model. Complete with rolled safety fascia, 1 1/4" inch chrome brass waste outlet and tapware - Product Code US-HBGU

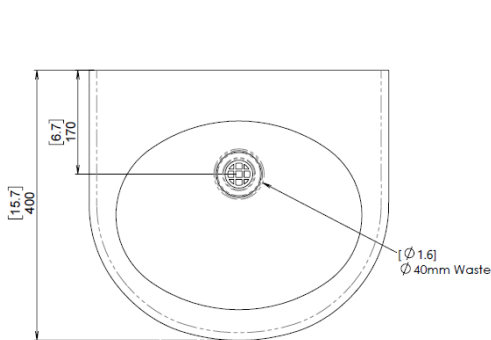
*RED TEXT may denote a **variable** where one option only is to be selected, a **nominal dimension** that needs to be specified, or an **optional feature** that can be removed if not required. Please refer to the back of this page for additional specification details and options.

VISIT BRITEXUSA.COM TO DOWNLOAD THE MOST CURRENT PRODUCT LITERATURE.

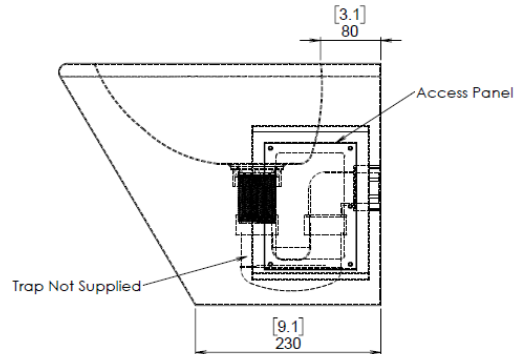
GRANDEUR HAND WASH BASIN

PRODUCT CODE

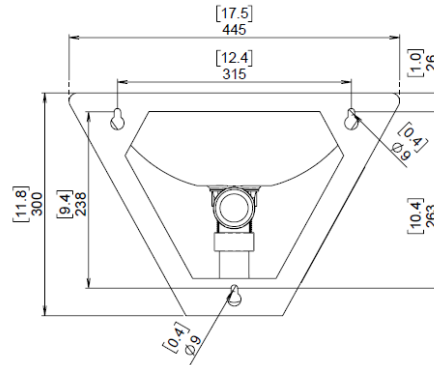
US-HBGU



MODEL US-HBGU Plan



MODEL US-HBGU Side Elevation



MODEL US-HBGU Rear Elevation

When specifying this product please include:

specifying guide

- Product **Name** and **Code**
- Product **Dimensions**
- **Tapware** details (if required)
- **Fixing Method** - Front or Rear
- **Waste Type** - Standard or Security

options

- Tap holes
- Anti-ligature security waste
- Right/left hand access panel

VISIT BRITEXUSA.COM TO DOWNLOAD THE MOST CURRENT PRODUCT LITERATURE.

Last Revised Dec 2023 | Revision B