

MULTI VANITY INSET HAND BASIN

3.03

HAND BASINS

#US-HBMV / MULTI VANITY INSET HAND BASIN



*Tapware shown for indicative purposes only.

features and benefits

- Supplied in custom lengths
- Incorporates multiple hand basins
- Satin finish top polished bowls
- Fully welded, seamless construction
- Grade 304 SS (1.2mm -16/18 gauge)
- Integral rear splashback
- 1.57"[40] waste & wall brackets supplied
- Suitable for mounting on joinery
- Ideal for parks and recreation, schools and clubs

about

The *BRITEX Multi Vanity Basin* is manufactured from 1.2mm grade 304 stainless steel in custom sizes made to order. Ideally suited to bathrooms where several patrons may require use of a basin at once such as schools, parks and recreation, night clubs and pavilions, basins include a set down area for soap and mounting taps. Supplied complete with 1.57"[40] waste outlets, and heavy duty wall brackets.

sample spec. text

BRITEX S.S Multi Vanity Inset Hand Basin - XXXXL x 23.62"[600]W O/A. with X No. integral wash basins (19.68"[500]L x 15.74"[400]W x 5.11"[130]D), 4"[100] boxed splashback to rear, 2"[50] front fascia, wall mounting brackets - Product Code US-HBMV

*RED TEXT may denote a **variable** where one option only is to be selected, a **nominal dimension** that needs to be specified, or an **optional feature** that can be removed if not required. Please refer to the back of this page for additional specification details and options.

VISIT BRITEXUSA.COM TO DOWNLOAD THE MOST CURRENT PRODUCT LITERATURE.

MULTI VANITY INSET HAND BASIN

PRODUCT CODE

US-HBMV

HOW TO SPECIFY: Multi Vanity Inset Multi Basin

Sample Specification Code

A
B
C
US-HBMV - 1800 - 3

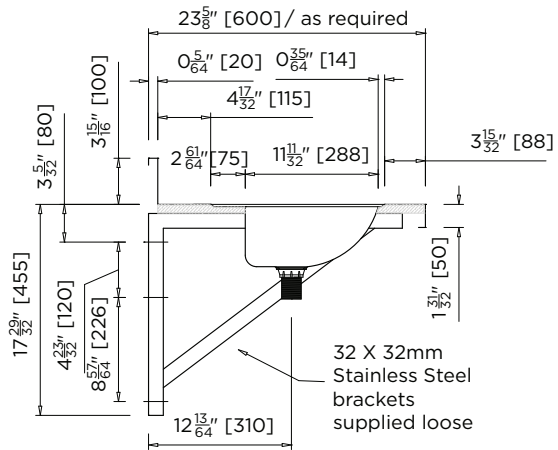
= Multi Vanity Inset Multi Basin, 1800mm Long with 3 Bowls

Specification Key

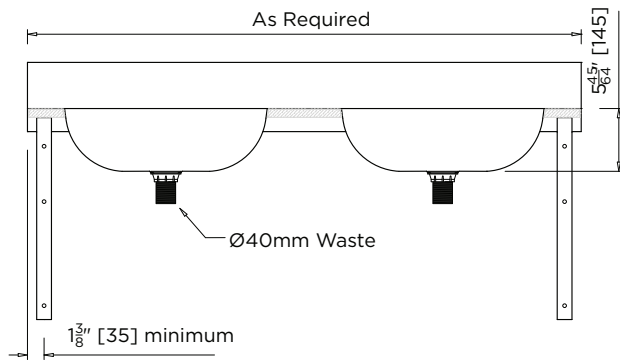
A = Product Code C = No. of Bowls
 B = Basin Length (mm)

Standard Basin Sizes:

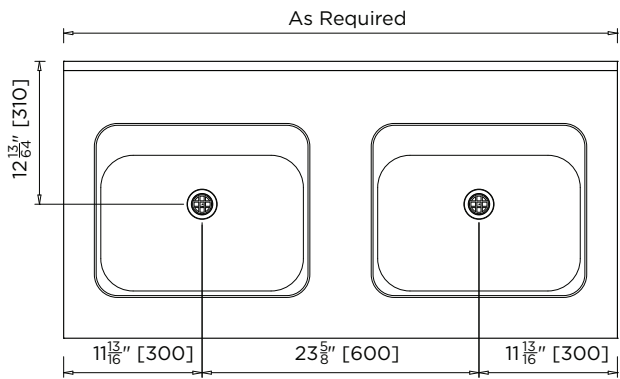
47.24"[1200] - 2 bowls 94.48"[2400] - 4 bowls 141.73[3600] - 6 bowls
 70.86"[1800] - 3 bowls 118.11"[3000] - 5 bowls 165.35[4200] - 7 bowls



MODEL US-HBMV Side Elevation



MODEL US-HBMV Rear Elevation



MODEL US-HBMV Plan

When specifying this product please include:

- Product Name and Code
- Product Dimensions
- No. of bowls



- Fascia & Upstand styles
- Support Legs
- Made to suit joinery
- Splashback to side(s)

VISIT BRITEXUSA.COM TO DOWNLOAD THE MOST CURRENT PRODUCT LITERATURE.