

WALL MOUNTED HAND BASIN

HAND BASINS



features and benefits

- Complies with food preparation standards
- 11 litre bowl capacity
- Economy model
- 45° chamfered front corners
- 40mm waste & wall bracket supplied
- 50mm blade rear upstand
- Grade 304 SS (1.2mm -16/18 gauge)
- Choice of tapware style

about

The BRITEX Stainless Steel Wall Mounted Hand Basin is a robust economical hand basin, suitable for use in light commercial projects, public amenities and sporting clubs. The front corners of the basin are chamfered to a 45 degree angle for added safety. Mounted on heavy duty wall bracket and supplied with a 40mm waste outlet, the pressed basin area includes a tap landing with 32mm tap hole. Basins can be supplied complete with anti-vandal timed flow tapware, sensor tap or flick mixers.

sample spec. text

BRITEX S.S. Wall Mounted Hand Basin - 500L x 425W x 210D. 11 Litre bowl capacity. Supplied complete with wall bracket, chamfered front corners, soap recesses, 40mm waste outlet, 32mm tap hole and XXXX tapware - Product Code HBS-TW-XXXX

*RED TEXT may denote a variable where one option only is to be selected, a nominal dimension that needs to be specified, or an optional feature that can be removed if not required. Please refer to the back of this page for additional specification details and options.

VISIT BRITEXUSA.COM TO DOWNLOAD THE MOST CURRENT PRODUCT LITERATURE.

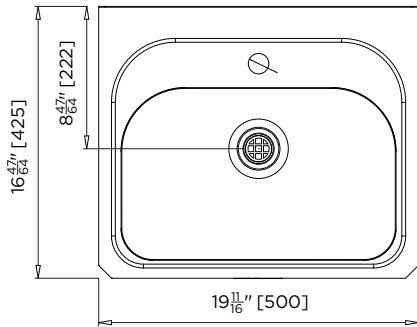
#US-HBS / WALL MOUNTED HAND BASIN

WALL MOUNTED HAND BASIN

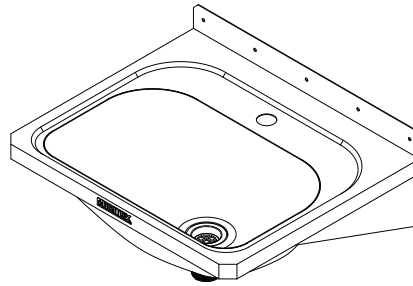
PRODUCT CODE

US-HBS

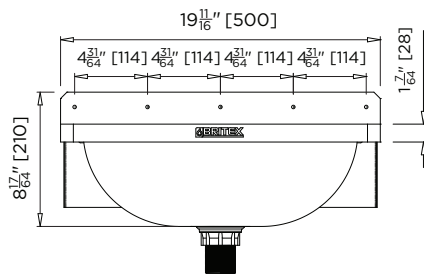
HAND BASINS



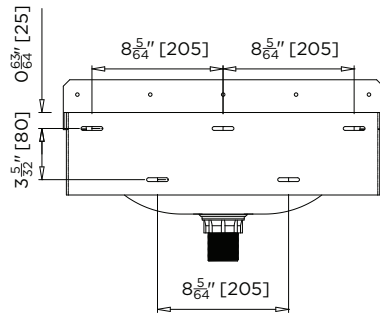
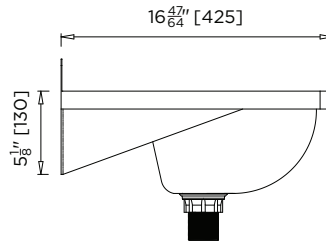
MODEL US-HBS Plan



MODEL US-HBS Isometric View



MODEL US-HBS Front and Side Elevation



MODEL US-HBS Rear Elevation

When specifying this product please include:

- Product **Name** and **Code**
- Product **Dimensions**
- **Tapware** details (if required)

specifying
guide

options

- Splashback Panel - Up to 500mm High

VISIT BRITEXUSA.COM TO DOWNLOAD THE MOST CURRENT PRODUCT LITERATURE.

#US-HBS / WALL MOUNTED HAND BASIN