

# VANDAL RESISTANT WASH BASIN

3.11

HAND BASINS

#US-HBVR / VANDAL RESISTANT WASH BASIN



*\*Tapware shown for indicative purposes only.*

## features and benefits

- Grade 304 SS (1.2mm -16/18 gauge)
- Value for money vandal resistance
- Shroud conceals plumbing connections
- Concealed access panel
- Hidden wall bracket
- 40mm waste outlet supplied
- P trap installation
- 6 litre bowl capacity
- 1 or 2 tap holes
- Suits parks and recreation, schools, sporting clubs and bars

## about

The *BRITEX Vandal Resistant Wash Basin* provides great value for money in projects that require a hand wash basin highly resistant to vandalism. Easily installed and fabricated from heavy duty stainless steel, all plumbing connections are housed within the carcass of the basin preventing them from being broken or tampered with. Maintenance can be carried out by removing the access panel concealed underneath the basin. Can be supplied with security tapware for maximum vandal resistance.

## sample spec. text

*BRITEX S.S. Vandal Resistant Wash Basin - 360L x 365W x 350D O/A. Supplied complete with concealed access hatch, mounting bracket, 40mm waste outlet - Product Code US-HBVR*

\*RED TEXT may denote a **variable** where one option only is to be selected, a **nominal dimension** that needs to be specified, or an **optional feature** that can be removed if not required. Please refer to the back of this page for additional specification details and options.

VISIT [BRITEXUSA.COM](http://BRITEXUSA.COM) TO DOWNLOAD THE MOST CURRENT PRODUCT LITERATURE.

# VANDAL RESISTANT WASH BASIN

PRODUCT CODE

**US-HBVR** Basin only

## HOW TO SPECIFY: Vandal Resistant Wash Basin

Sample Specification Code

A      B  
**US-HBVR - TW-9101**

= Vandal Resistant Wash Basin with Eco Timed Flow  
 Pillar Tap

Specification Key

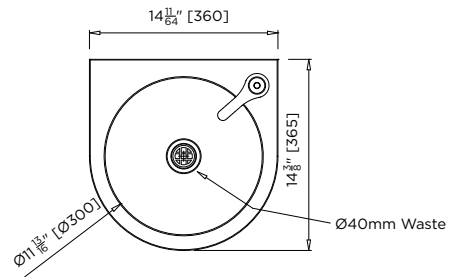
A = Product Code

B = Tapware - if required  
 (see below for suggested  
 tapware options)

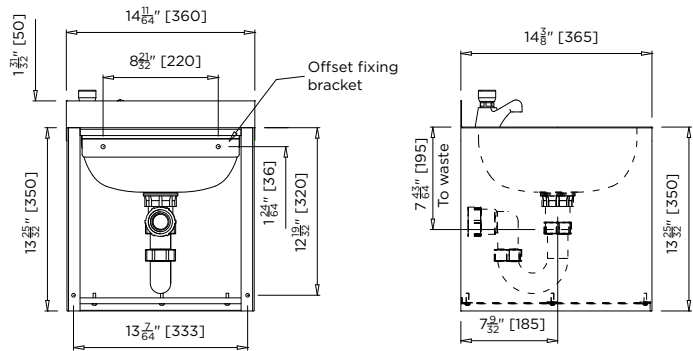
### Suggested Tapware Options:



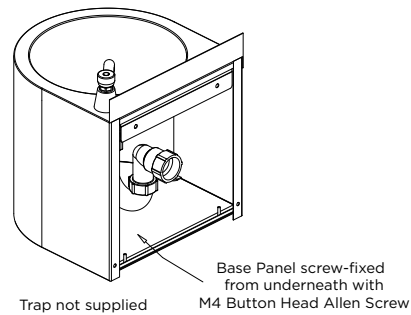
**TW-SEC-01**  
 Security Tap Set  
 (Cold Only)



**MODEL US-HBVR** Plan



**MODEL US-HBVR** Rear and Side Elevation



**MODEL US-HBVR** Isometric View (Rear)

When specifying this  
 product please include:

- Product **Name** and **Code**
- Product **Dimensions**
- **Tapware** details (if required)

specifying  
 guide

options

- Tap holes
- Splashback Panel - Up to 500mm High
- Shroud to floor - see US-SPBO

VISIT [BRITEXUSA.COM](http://BRITEXUSA.COM) TO DOWNLOAD THE MOST CURRENT PRODUCT LITERATURE.