

GRANDEUR ADA ACCESSIBLE PAN

ADA

WHITE
POWDER
COAT
OPTION
Available



features and benefits

- 14-gauge type 304 stainless steel
- Seamlessly welded
- Satin finished surfaces
- Ultra vandal resistant
- Safety radius front edge contour pan
- Free of ligature points
- Anti-Ligature Skirt
- Contraband-proof flushing rim
- Unique blockage resistant trap
- Option for permanently sealed access panels (maximum security projects)
- Available in White Powder Coat Finish
- Suits detention facilities and public amenities

about

The *BRITEX Grandeur ADA Accessible Toilet Pan* is seamless, fully shrouded and manufactured from heavy gauge grade 304 satin S.S. making it easy to clean and providing optimal strength. Incorporating radius edges for added safety, anti ligature skirt, pressed internal bowl and unique trap design, the Grandeur pan is extremely water efficient much less susceptible to costly blockages in public amenities. Additionally, it incorporates a contraband-proof flushing rim and is free of ligature points making it ideal for installing in correctional facilities and holding cells. Supplied without access panels for maximum security, but are available if required.

sample spec. text

BRITEX S.S. Grandeur ADA Accessible Pan - P/S Trap, safety radius front edge, anti ligature skirt, fully shrouded to rear wall with optional access panels - Product Code US-PGD^X

*RED TEXT may denote a **variable** where one option only is to be selected, a **nominal dimension** that needs to be specified, or an **optional feature** that can be removed if not required. Please refer to the back of this page for additional specification details and options.

VISIT BRITEXUSA.COM TO DOWNLOAD THE MOST CURRENT PRODUCT LITERATURE.

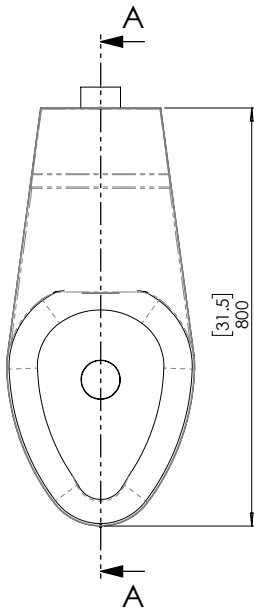
GRANDEUR ADA ACCESSIBLE PAN

PRODUCT CODE

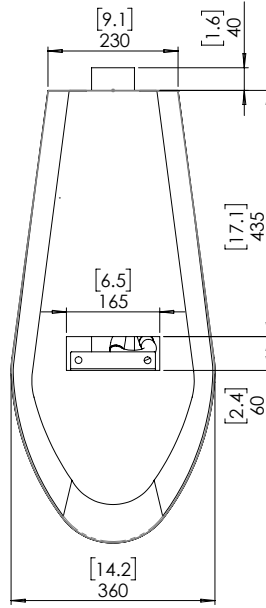
US-PGD

BRITEX WC / TOILETS

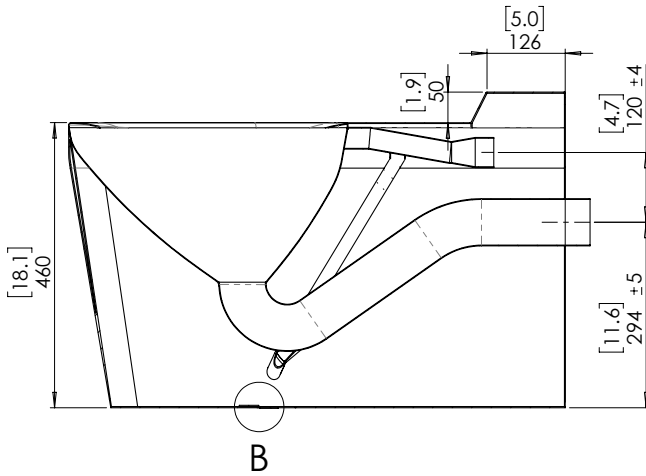
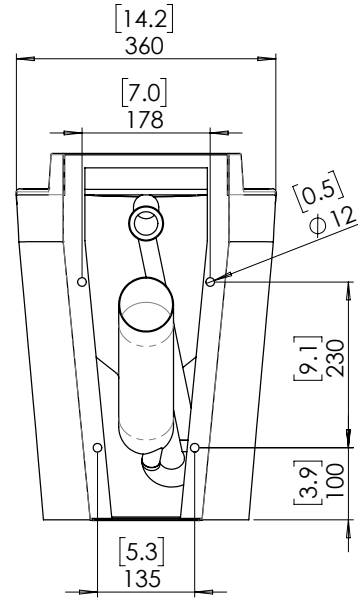
#US-PGD / GRANDEUR ADA ACCESSIBLE PAN



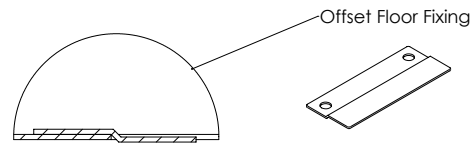
MODEL US-PGD Plan



MODEL US-PGD Rear Elevation



MODEL US-PGD Side Elevation



DETAIL B
SCALE 1 : 1.5

When specifying this product please include:



- Product **Name** and **Code**
- Product **Dimensions**
- Product **Features / Options**
- **P** or **S** Trap



- Optional Access Panels if required
- Optional White Powder Coat Finish

VISIT BRITEXUSA.COM TO DOWNLOAD THE MOST CURRENT PRODUCT LITERATURE.