

WALL MOUNTED GRANDEUR PAN



features and benefits

- Mounted off the floor
- Safety radius front edges
- Ultra vandal resistant
- Unique blockage resistant trap
- Free of ligature points
- Contraband-proof flushing rim
- Option for fitted toilet seat
- 4.5/3 litre flushing compatible
- Satin stainless finish
- Grade 304 SS (1.2mm -16/18 gauge)
- Ideal for clubs, bars and public amenities

about

The *BRITEX Wall Mounted Grandeur Toilet Pan* is seamless, fully shrouded and manufactured from heavy gauge grade 304 satin finish S.S. making it easy to clean and providing optimal strength. Incorporating radius edges for added safety, a pressed internal bowl and unique trap design, the Wall Mounted Toilet pan is extremely water efficient (4.5/3 litre) and much less susceptible to costly blockages in public amenities. A heavy duty wall mounting bracket is supplied for easy installation with countersunk, unobtrusive pan fixings and a toilet seat can be fitted if required.

sample spec. text

BRITEX S.S. Wall Mounted Grandeur Toilet Pan - 14mm safety radius front edge - Product Code US-PWMG

*RED TEXT may denote a **variable** where one option only is to be selected, a **nominal dimension** that needs to be specified, or an **optional feature** that can be removed if not required. Please refer to the back of this page for additional specification details and options.

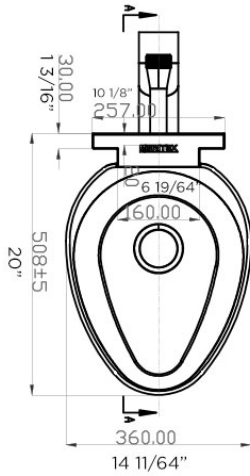
VISIT BRITEXUSA.COM TO DOWNLOAD THE MOST CURRENT PRODUCT LITERATURE.

WALL MOUNTED GRANDEUR PAN

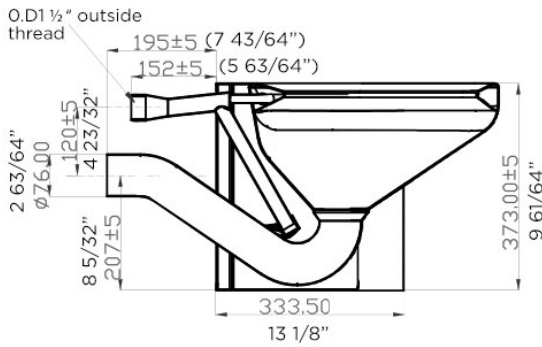
PRODUCT CODE

US-PWMG

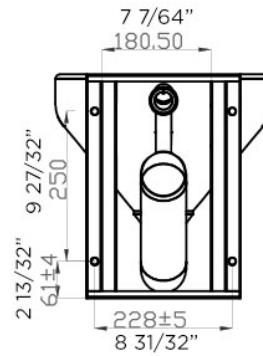
TOILETS



MODEL US-PWMG Plan



MODEL US-PWMG Side Elevation



MODEL US-PWMG Rear Elevation

When specifying this product please include:

- Product Name and Code
- Product Dimensions



#US-PWMG / WALL MOUNTED GRANDEUR PAN

VISIT BRITEXUSA.COM TO DOWNLOAD THE MOST CURRENT PRODUCT LITERATURE.

Last Revised Nov 2022