

ADA SECURITY COMBINATION UNIT

ADA



AS-1428
COMPLIANT



features and benefits

- 14-gauge type 304 stainless steel (1.2mm -16/18 gauge)
- Seamlessly welded
- Satin finished surfaces
- No ligature points
- Contraband-proof
- Concealed fixings
- Integrated SS Grab Rail
- Ligature proof basin waste outlet
- 100mm high splashback
- Suits detention facilities, pubs and parks and recreation
- Tested with an approved flush valve with a minimum of 1.28 GPF

about

BRITEX Stainless Steel ADA Security Combination Units incorporate a fully welded stainless steel grandeur anti-ligature toilet pan with benchtop, splashback and integral basin. An accessible grab rail behind completes the anti vandal security combination unit. Anti-ligature skirt model, toilet roll holder, tapware and ligature proof basin waste outlet are optional extras.

sample spec. text

BRITEX S.S. ADA Security Combination Unit - Incorporating security grandeur anti-ligature pan and integral basin with 100mm splashback and grab rail behind - Product Code US-SCUD-PG

*RED TEXT may denote a **variable** where one option only is to be selected, a **nominal dimension** that needs to be specified, or an **optional feature** that can be removed if not required. Please refer to the back of this page for additional specification details and options.

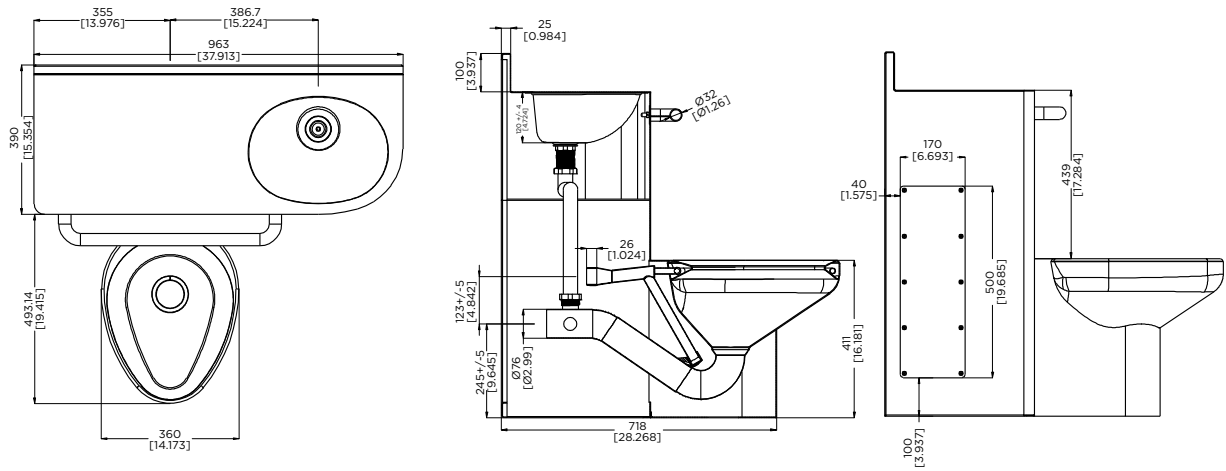
VISIT BRITEXUSA.COM TO DOWNLOAD THE MOST CURRENT PRODUCT LITERATURE.

ADA SECURITY COMBINATION UNIT

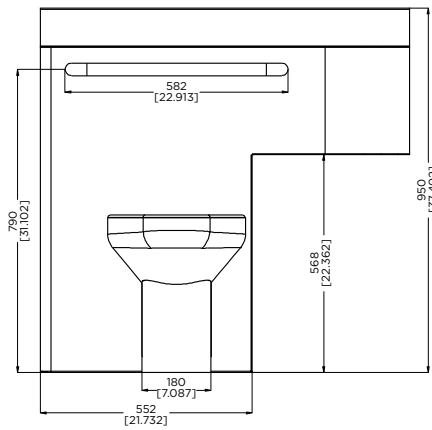
PRODUCT CODE

US-SCUD-PG

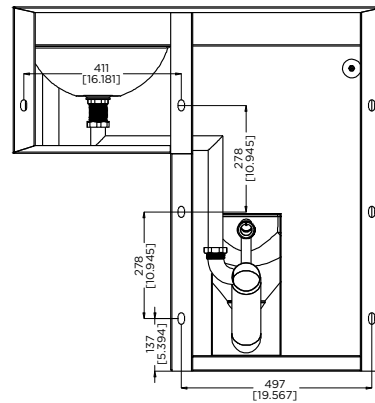
BRITEX SECURITY RANGE



MODEL US-SCUD-PG Plan and Side Elevations



MODEL US-SCUD-PG Front Elevation



MODEL US-SCUD-PG Side Elevation

When specifying this product please include:

- Product **Name** and **Code**
- Product **Features / Options**
- **P** or **S** Trap

specifying guide

options

- Anti Ligature Skirt
- Integral Toilet Roll Holder
- Security Tapware
- Ligature Proof Basin Waste Outlet

VISIT BRITEXUSA.COM TO DOWNLOAD THE MOST CURRENT PRODUCT LITERATURE.

#US-SCUD-PG / ADA SECURITY COMBINATION UNIT