

PEDESTAL SECURITY BASIN

3.08

HAND BASINS

#US-SPB / PEDESTAL SECURITY BASIN



**Optional tapware shown for indicative purposes only.*

features and benefits

- 14-gauge type 304 Stainless Steel (1.2mm -16/18 gauge)
- Shroud extends to the floor
- 6 litre bowl capacity
- All plumbing connections concealed
- Optional access panel (if front fixed)
- Fixes to floor and rear wall
- 40mm waste outlet supplied
- P or S trap installation
- Optional toilet roll holder
- 1, 2 or 3 tap holes
- Optional anti-ligature waste
- Suits detention projects, holding cells, parks and recreation and bars

about

The *BRITEX Stainless Steel Pedestal Security Basin* is a popular vandal resistant fixture for holding cells, public toilets and train stations. Shrouded all the way to the ground, it can be trapped through the floor, eliminating the need to penetrate the rear wall. Compact in size and taking up little space in smaller rooms, it is fixed both at the rear of the basin and at the base. Options include an integral toilet roll holder, security waste and access panels if fixing from the front. Can be supplied with security tapware if required. Security waste is optional.

sample spec. text

BRITEX S.S. Pedestal Security Basin. 360L x 420W x 820H. Front/Rear fixed model, supplied complete with 40mm security/polypropylene waste outlet, integrated toilet roll holder - Product Code US-SPB

*RED TEXT may denote a variable where one option only is to be selected, a nominal dimension that needs to be specified, or an optional feature that can be removed if not required. Please refer to the back of this page for additional specification details and options.

VISIT BRITEXUSA.COM TO DOWNLOAD THE MOST CURRENT PRODUCT LITERATURE.

PEDESTAL SECURITY BASIN

PRODUCT CODE

US-SPB

HOW TO SPECIFY: Pedestal Security Basin

Sample Specification Code

A **B** **C** **D**
US-SPB - RF - TW-SEC-01 - T

= Pedestal Security Basin, Rear Fixed with Security Tap Set (Cold) and Toilet Roll Holder

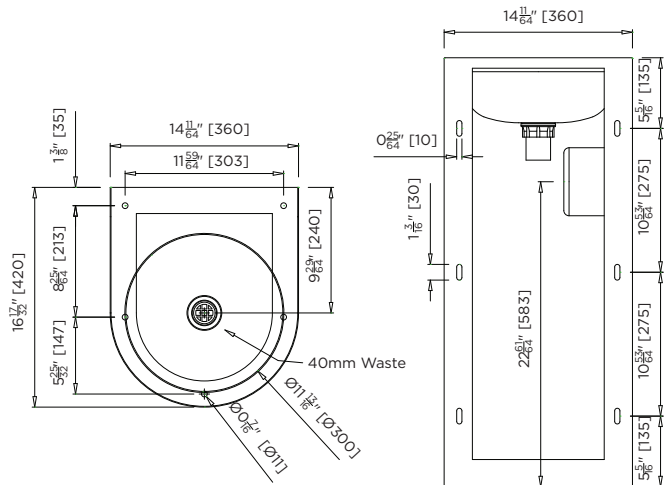
Specification Key

A = Product Code	C = Tapware - if required (see below for tapware options)
B = Fixing Method RF : Rear Fixed (no access panel) FF : Front Fixed (left hand access panel)	D = Toilet Roll Holder (opt.) T : Toilet Roll Holder N : No Toilet Roll Holder

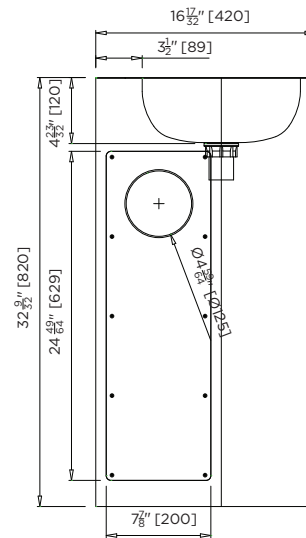
Suggested Tapware Options:



TW-SEC-01
Security Tap Set
(Cold Only)



MODEL US-SPB Rear Elevation and Plan



MODEL US-SPB Side Elevation

When specifying this product please include:

- Product Name and Code
- Product Dimensions
- Tapware details (if required)
- Fixing Method - Front or Rear
- Waste Type - Standard or Security

specifying guide

options

- Tap holes
- Anti-ligature security waste
- Right/left hand access panel
- Splashback Panel - Up to 500mm High
- Toilet roll holder

VISIT BRITEXUSA.COM TO DOWNLOAD THE MOST CURRENT PRODUCT LITERATURE.