

REGAL URINAL POD



Average Water Consumption
0.38 L (0.10 gal) per flush



features and benefits

- UPC Certified
- Ultra vandal resistant urinal
- Satin stainless body
- Mirror stainless bowl
- UPC Certified
- Fully concealed plumbing connections
- Stylish modern appearance
- Suits P trap installation
- Quick and easy to install
- Perfect for pubs, clubs and public amenities
- Grade 304 SS (1.2mm -16/18 gauge)

about

The *BRITEX Regal Urinal* is perfectly suited to areas requiring optimal resistance to vandalism such as public toilets, night clubs, pubs and sports pavilions. Supplied with a concealed rear inlet and incorporating a stylish appearance the Regal is also a fine addition to a bathroom that requires high quality, modern looking sanitary fixtures.

sample spec. text

BRITEX 'Regal' Stainless Steel Vandal Resistant Urinal Pod - UPC Certified - Product Code US-UR

*RED TEXT may denote a **variable** where one option only is to be selected, a **nominal dimension** that needs to be specified, or an **optional feature** that can be removed if not required. Please refer to the back of this page for additional specification details and options.

VISIT BRITEXUSA.COM TO DOWNLOAD THE MOST CURRENT PRODUCT LITERATURE.

REGAL URINAL POD

PRODUCT CODE

US-UR

STANDARD MODEL

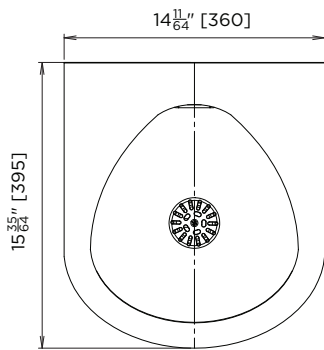
Suggested Mounting Heights:

Dimension from finished floor to front edge/rim of urinal

Adults - 610 mm

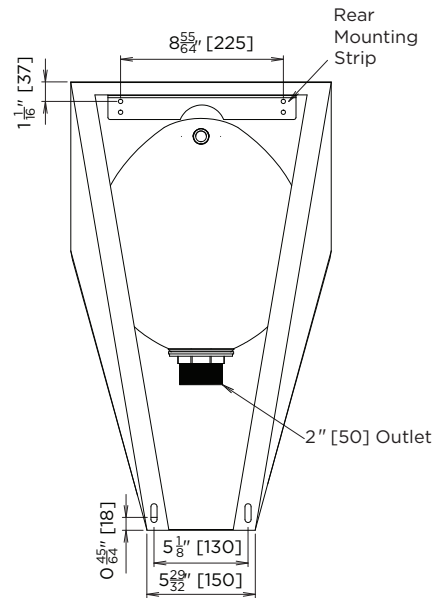
Juniors - 510 mm

NB: Heights are suggestions only, subject to suitability of users for each individual project.

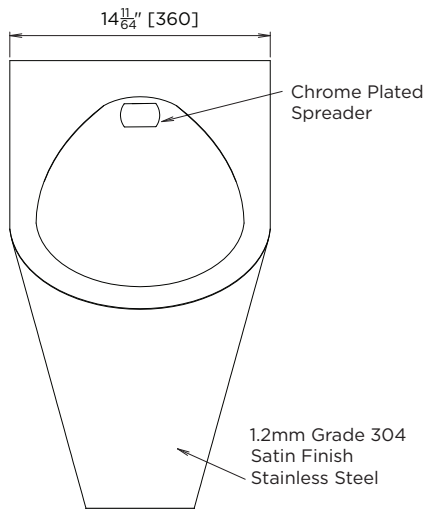


MODEL US-UR Plan

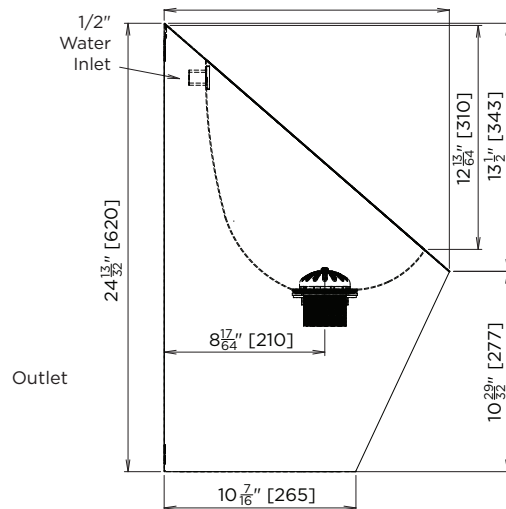
Internal waste connection can be accessed through a void in the underside of the urinal body ≈ 110mm x 200mm.



MODEL US-UR Rear Elevation



MODEL US-UR Front Elevation



MODEL US-UR Section

When specifying this product please include:

- Product Name and Code
- Product Dimensions
- Product Features



VISIT BRITEXUSA.COM TO DOWNLOAD THE MOST CURRENT PRODUCT LITERATURE.

Last Revised Nov 2022



Due to ongoing research and our commitment to product development, details are subject to change without notice. Details accurate at time of print. Please refer to britex.com.au for the most current product information. Allow +/- 5mm tolerance for dimensions and setouts shown in product literature.