



features
and
benefits

- Multipurpose space-saving fixture
- Integral hand basin and bucket sink
- 1.8 gallon [7L] basin / 6.8 gallon [26L] sink
- Grade 304 satin S.S. (1.2mm -16/18 gauge)
- Hinged bucket grates x 2
- Only one swivel tap required
- Adjustable support legs
- Secure access hatch
- Suits swivel basin mixer

about

The *BRITEX Stainless Steel Janitorial Unit* is a great space-saving fixture for cleaner's rooms that traditionally don't provide much floor space. The Janitorial Unit combines both a bucket sink with hinged grate and a generous sized hand wash basin. Suits a swivel-style tap mounted at the front of the basin, which can be used for hand washing when over the basin and for bucket filling when adjusted to be over the sink area below. A fully welded construction ensures great overall strength and durability and a service panel at the front of the unit provides access to install/maintain plumbing connections. Supplied with adjustable legs, mounting bracket and waste outlet.

sample
spec.
text

BRITEX S.S. Janitorial Unit - 19"[495] x 20"[500] x 35"[890] O/A. Incorporates oval hand basin, access panel, bucket sink with stainless steel grates - Product Code US-CJU

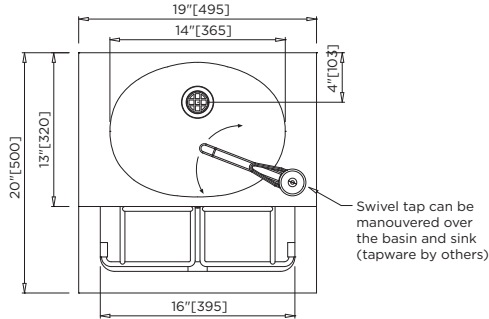
*RED TEXT may denote a **variable** where one option only is to be selected, a **nominal dimension** that needs to be specified, or an **optional feature** that can be removed if not required. Please refer to the back of this page for additional specification details and options.

VISIT BRITEXUSA.COM TO DOWNLOAD THE MOST CURRENT PRODUCT LITERATURE.

JANITORIAL UNIT

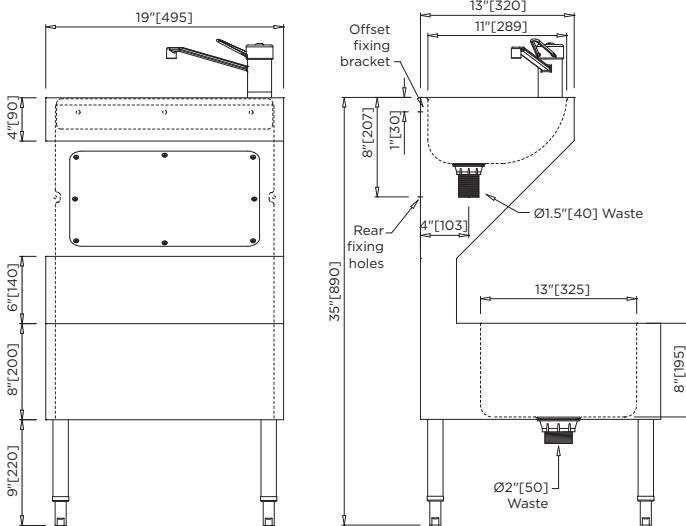
PRODUCT CODE

CJU

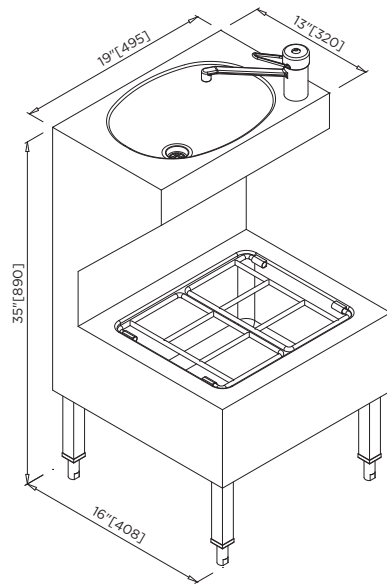


MODEL CJU Plan

Faucet / Tapware Shown for indicative purposes only



MODEL CJU Front Elevation and Side Elevation



MODEL CJU Isometric Drawing

When specifying this product please include:

- Product **Name** and **Code**
- Product **Dimensions**
- Product **Features**

specifying guide

options

- Left or right hand tap
- Splashback behind basin

VISIT BRITEXUSA.COM TO DOWNLOAD THE MOST CURRENT PRODUCT LITERATURE.