

CONICAL FLUSHING FLOOR WASTE

8.01

TANKS & DRAINAGE

#US-FFWC / CONICAL FLUSHING FLOOR WASTE



features and benefits

- Heavy gauge stainless steel construction
- Removable grate for ease of cleaning
- Compatible with numerous flushing mechanisms
- Models suit concrete or vinyl flooring
- Conical body for efficient flushing
- Supplied with adjustable stainless steel 'P' trap
- Concealed internal flushing rim
- Perfect for schools, aged care and medical facilities

about

The *BRITEX Conical Flushing Floor Waste* is manufactured from heavy gauge stainless steel and suited specifically to schools, hospitals, aged care facilities, mortuaries and veterinary clinics. Robust in construction and supplied complete with an adjustable 100mm dia. stainless steel P Trap, the conical body of the unit ensures efficient flushing and easy cleaning.

sample spec. text

BRITEX S.S. Conical Flushing Floor Waste - 390mm dia. to suit vinyl/concrete floor. Complete with adjustable 110mm dia. stainless steel P Trap and removable grate - Product Code US-FFWC- X

*RED TEXT may denote a variable where one option only is to be selected, a nominal dimension that needs to be specified, or an optional feature that can be removed if not required. Please refer to the back of this page for additional specification details and options.

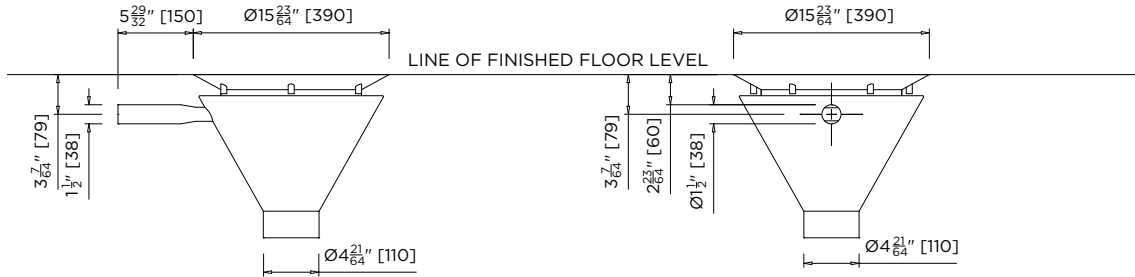
VISIT BRITEXUSA.COM TO DOWNLOAD THE MOST CURRENT PRODUCT LITERATURE.

CONICAL FLUSHING FLOOR WASTE

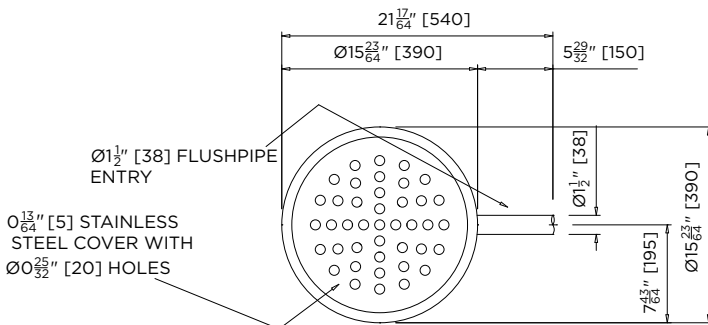
PRODUCT CODE

US-FFWC-C (suits concrete floors)

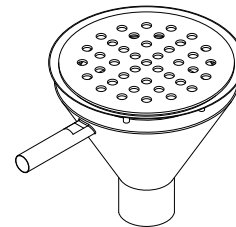
US-FFWC-V (suits vinyl floors)



MODEL US-FFWC-V Front and Rear Elevation



MODEL US-FFWC-V Plan



MODEL US-FFWC-V Isometric View

When specifying this product please include:

specifying guide

- Product **Name** and **Code**
- Overall **Product Dimensions**
- Product **Features**
- **Concrete** or **Vinyl** floor model

options

- Grade 316 stainless steel body
- Custom sizes

VISIT BRITEXUSA.COM TO DOWNLOAD THE MOST CURRENT PRODUCT LITERATURE.