



features and benefits

- Stylish 'designer' basin
- Fully welded, seamless construction
- Grade 304 satin S.S.
- Easy to clean and maintain
- 40mm waste outlet supplied
- Concealed fixings
- Suits single tap hole
- Perfect for hospitality projects, night clubs, hotels and restaurants

about

The *BRITEX Omega Wash Basin* is a very attractive fixture that is both functional and robust. Manufactured from Grade 304 stainless steel, the Omega has a large, deep bowl with an integral, uniquely shaped hob at the rear of the bowl providing space for a mixer tap. With its concealed fixings, designer looks and satin finish it is well suited to hotel washrooms, night clubs and restaurants.

sample spec. text

BRITEX S.S. Omega Basin - 400L x 470W x 200mmD O/A. Supplied in satin finish, complete with 40mm waste outlet, 35mm tap hole - Product Code US-HBOM

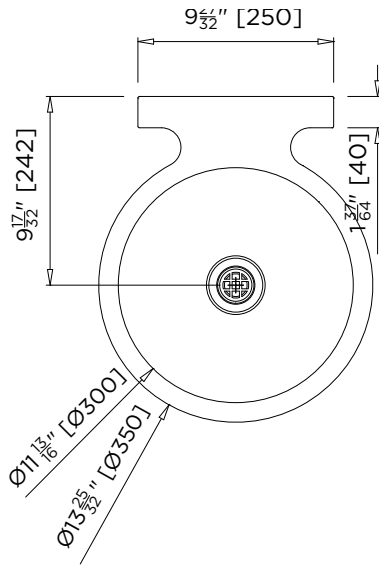
*RED TEXT may denote a **variable** where one option only is to be selected, a **nominal dimension** that needs to be specified, or an **optional feature** that can be removed if not required. Please refer to the back of this page for additional specification details and options.

VISIT BRITEXUSA.COM TO DOWNLOAD THE MOST CURRENT PRODUCT LITERATURE.

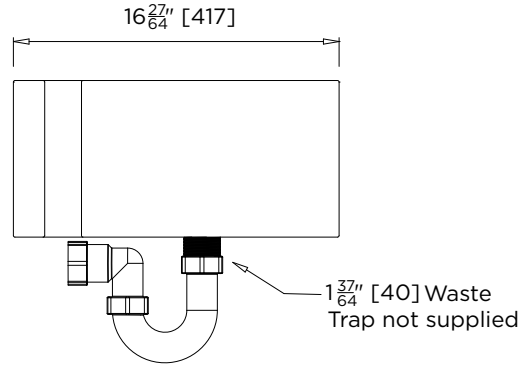
OMEGA WASH BASIN

PRODUCT CODE

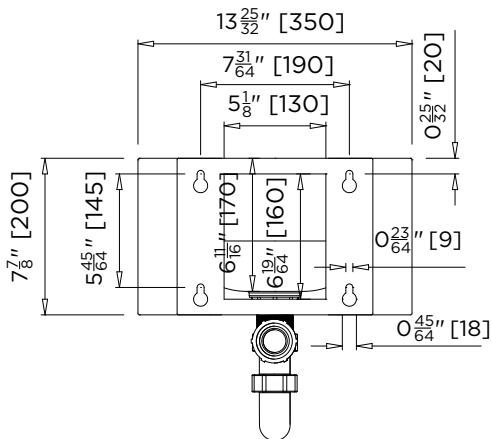
US-HBOM



MODEL US-HBOM Plan



MODEL US-HBOM Side Elevation



MODEL US-HBOM Rear Elevation

specifying
guide

When specifying this product please include:

- Product Name and Code
- Product Dimensions
- Product Features

VISIT BRITEXUSA.COM TO DOWNLOAD THE MOST CURRENT PRODUCT LITERATURE.