

OVAL SECURITY BASIN

3.02

HAND BASINS

#US-SPBO / OVAL SECURITY BASIN



**Optional tapware shown for indicative purposes only.*

features and benefits

- 1.6mm Grade 304 Stainless Steel
- Radius edges. No sharp corners
- Ligature resistant profile
- Prison grade vandal resistance
- All plumbing connections concealed
- Front/rear fixed models
- 40mm waste outlet
- P trap installation
- Reinforced bowl rim
- 1,2 or 3 tapholes
- Optional anti-ligature waste
- Suits detention projects, holding cells, parks and recreation and bars

about

The *BRITEX Stainless Steel Oval Security Basin* combines maximum security vandal resistance with the highest quality workmanship and style. Key to its design is a fully welded, radiused front edge that conceals a solid 25mm stainless steel bar within to ensure maximum resistance to any applied forces. A rounded profile above and below the basin also ensures there are no ligature points and all fixing points are concealed. Plumbing connections are secure within the stainless steel shroud that can incorporate an access panel if fixing from the front and an anti-ligature security waste is optional. Can be supplied with security tapware for maximum vandal resistance.

sample spec. text

*BRITEX S.S. Oval Security Basin - 450L x 383W x 880H. **Front/Rear** fixed model. Complete with concealed 25mm S.S. reinforcement bar and rolled safety fascia, tapered anti-ligature profile, 40mm **security/polypropylene** waste outlet **TW-SEC-01 tapware** - Product Code **SPBO-XX-TW-SEC-01***

*RED TEXT may denote a **variable** where one option only is to be selected, a **nominal dimension** that needs to be specified, or an **optional feature** that can be removed if not required. Please refer to the back of this page for additional specification details and options.

VISIT BRITEXUSA.COM TO DOWNLOAD THE MOST CURRENT PRODUCT LITERATURE.

OVAL SECURITY BASIN

PRODUCT CODE

US-SPBO

HOW TO SPECIFY: Oval Security Basin

Sample Specification Code

A **B** **C**
US-SPBO - RF - TW-SEC-01

= Oval Security Basin, Rear Fixed with Security Tap Set (Cold)

Specification Key

A = Product Code

B = Fixing Method

RF : Rear Fixed

(no access panel)

FF : Front Fixed

(left hand access panel)

C = Tapware - if required

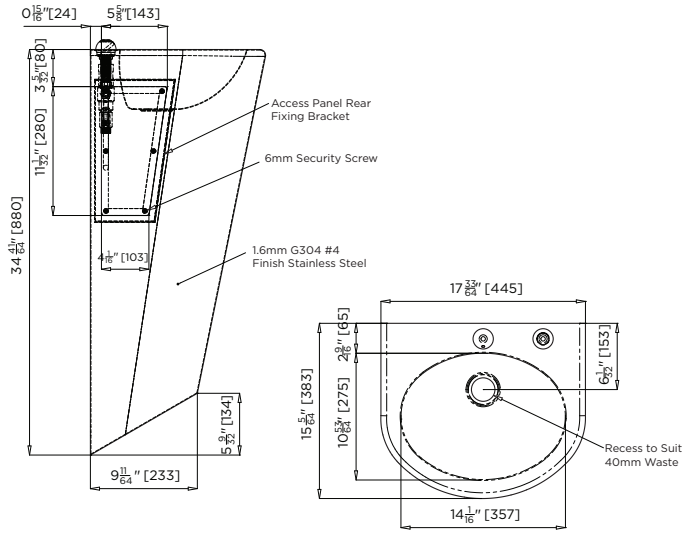
(see below for suggested

tapware options)

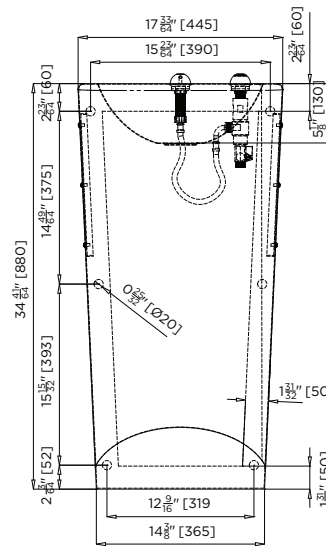
Suggested Tapware Options:



TW-SEC-01
 Security Tap Set
 (Cold Only)



MODEL US-SPBO Side Elevation and Plan



MODEL US-SPBO Rear Elevation

When specifying this product please include:

- Product Name and Code
- Product Dimensions
- Tapware (if required)
- Fixing Method - Front or Rear
- Waste Type - Standard or Security

specifying guide

options

- Tap holes
- Tapware - TW-SEC-01
- Anti-ligature security waste
- Right/left hand access panel

VISIT BRITEXUSA.COM TO DOWNLOAD THE MOST CURRENT PRODUCT LITERATURE.