

# MULTI VANITY INSET HAND BASIN

3.03

HAND BASINS

#US-HBMV / MULTI VANITY INSET HAND BASIN



\*Tapware shown for indicative purposes only.

## features and benefits

- Supplied in custom lengths
- Incorporates multiple hand basins
- Satin finish top polished bowls
- Fully welded, seamless construction
- Grade 304 S.S.
- Integral rear splashback
- 1.57"[40] waste & wall brackets supplied
- Suitable for mounting on joinery
- Ideal for parks and recreation, schools and clubs

## about

The *BRITEX Multi Vanity Basin* is manufactured from 1.2mm grade 304 stainless steel in custom sizes made to order. Ideally suited to bathrooms where several patrons may require use of a basin at once such as schools, parks and recreation, night clubs and pavilions, basins include a set down area for soap and mounting taps. Supplied complete with 1.57"[40] waste outlets, and heavy duty wall brackets.

## sample spec. text

*BRITEX S.S Multi Vanity Inset Hand Basin - XXXXL x 23.62"[600]W O/A. with X No. integral wash basins (19.68"[500]L x 15.74"[400]W x 5.11"[130]D), 4"[100] boxed splashback to rear, 2"[50] front fascia, wall mounting brackets - Product Code US-HBMV*

\*RED TEXT may denote a **variable** where one option only is to be selected, a **nominal dimension** that needs to be specified, or an **optional feature** that can be removed if not required. Please refer to the back of this page for additional specification details and options.

VISIT [BRITEXUSA.COM](http://BRITEXUSA.COM) TO DOWNLOAD THE MOST CURRENT PRODUCT LITERATURE.

# MULTI VANITY INSET HAND BASIN

PRODUCT CODE

## US-HBMV

### HOW TO SPECIFY: Multi Vanity Inset Multi Basin

Sample Specification Code

A
B
C  
**US-HBMV - 1800 - 3**

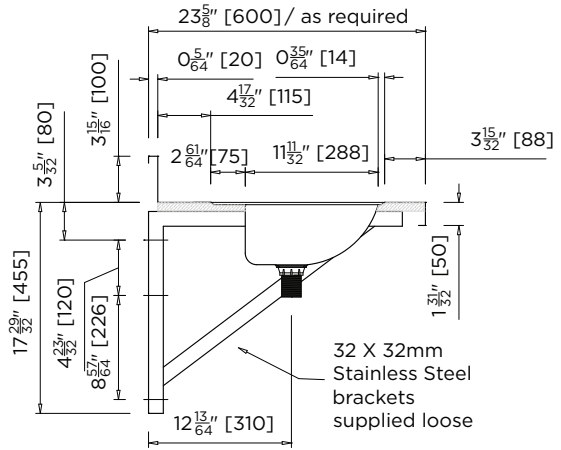
= Multi Vanity Inset Multi Basin, 1800mm Long with 3 Bowls

Specification Key

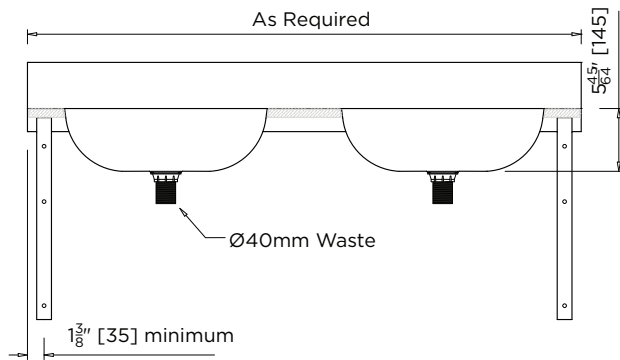
A = Product Code                      C = No. of Bowls  
 B = Basin Length (mm)

Standard Basin Sizes:

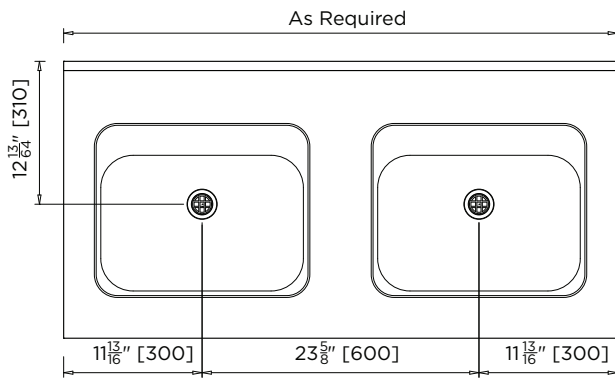
47.24"[1200] - 2 bowls    94.48"[2400] - 4 bowls    141.73[3600] - 6 bowls  
 70.86"[1800] - 3 bowls    118.11"[3000] - 5 bowls    165.35[4200] - 7 bowls



MODEL US-HBMV Side Elevation



MODEL US-HBMV Rear Elevation



MODEL US-HBMV Plan

When specifying this product please include:

- Product Name and Code
- Product Dimensions
- No. of bowls



- Fascia & Upstand styles
- Support Legs
- Made to suit joinery
- Splashback to side(s)

VISIT [BRITEXUSA.COM](http://BRITEXUSA.COM) TO DOWNLOAD THE MOST CURRENT PRODUCT LITERATURE.