

WUDU FOOT WASH TROUGH

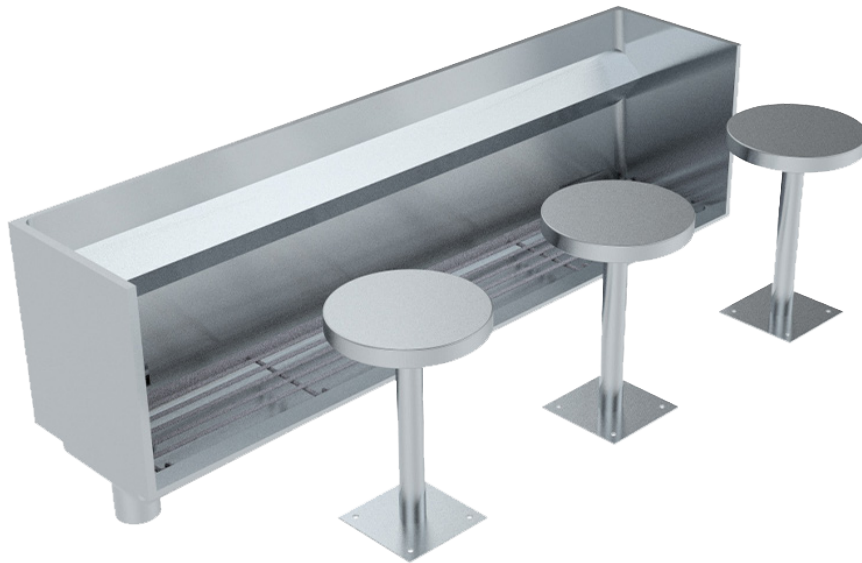


Image shows Model US-TWUDU with optional heavy duty S.S. stools

features and benefits

- Designed for foot washing/Wudu
- Used in Islamic cultural buildings
- Commercial grade 304 S.S. (1.2mm -16/18 gauge)
- Integral foot rest
- Floor Mounted or Recessed Models
- Optional heavy duty S.S. stool(s)
- Manufactured to custom lengths
- Hinged grate for easy cleaning
- Installed between walls
- UPC certified
- Freestanding end(s) optional

about

The *BRITEX Stainless Steel Wudu Foot Wash Trough* is designed specifically for the foot washing process during wudu in Islamic cultural buildings. UPC certified and manufactured from durable 1.2mm grade 304 stainless steel wudu troughs incorporate an angled rear foot resting ledge and a hinged floor grate below to allow for ease of cleaning. All units are made to custom lengths to fit between walls. Freestanding units can be supplied where required. Heavy Duty S.S. stools optional.

sample spec. text

BRITEX Wudu Foot Wash Trough - Grade 304 stainless steel. UPC certified. XXXXmmL x 400mmW O/A. Floor Mounted/ Recessed model, supplied complete with foot resting ledge, hinged grate 50/100 mm waste outlet to left/right hand end, and X No. of Heavy Duty S.S. Stools - Product Code US-TWUDU

*RED TEXT may denote a variable where one option only is to be selected, a nominal dimension that needs to be specified, or an optional feature that can be removed if not required. Please refer to the back of this page for additional specification details and options.

VISIT BRITEXUSA.COM TO DOWNLOAD THE MOST CURRENT PRODUCT LITERATURE.

WUDU FOOT WASH TROUGH

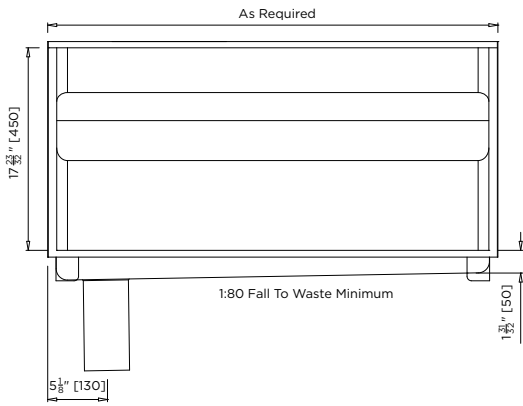
PRODUCT CODE

US-TWUDU

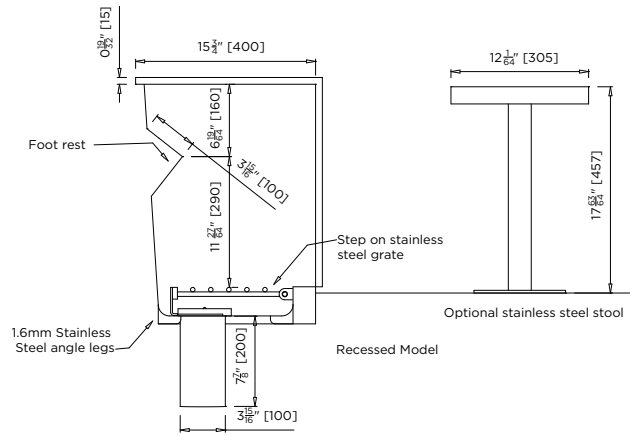
4.04

TROUGHS

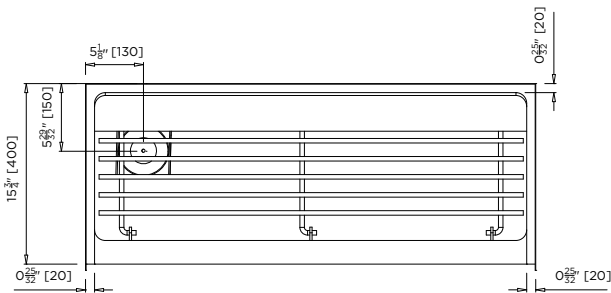
#US-TWUDU / WUDU FOOT WASH TROUGH



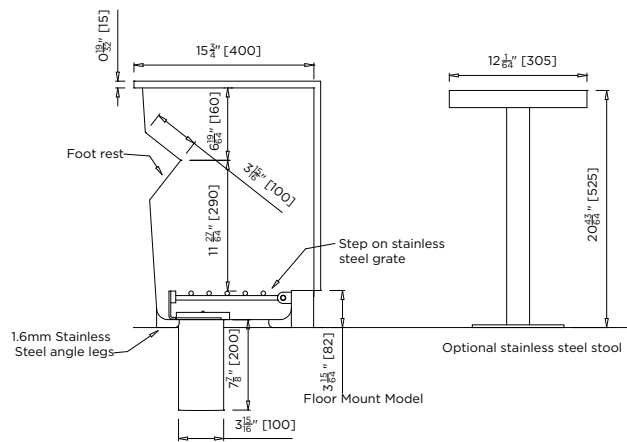
MODEL US-TWUDU Front Elevation



MODEL US-TWUDU Section: Recessed Model



MODEL US-TWUDU Plan



MODEL US-TWUDU Section: Floor Mounted Model



When specifying this product please include:

- Product Name and Code
- Product Features
- Product Dimensions
- Floor Mounted or Recessed
- Position of Waste Outlet (left/right)
- End Type - between walls or freestanding
- No. of Stools (if required)



- Custom Lengths
- Freestanding Ends
- Left or Right Hand Waste
- 100mm or 50mm waste outlet
- Floor Mounted or Recessed
- Heavy duty S.S. stools

VISIT BRITEXUSA.COM TO DOWNLOAD THE MOST CURRENT PRODUCT LITERATURE.

Last Revised Nov 2022



Due to ongoing research and our commitment to product development, details are subject to change without notice. Details accurate at time of print. Please refer to britex.com.au for the most current product information. Allow +/- 5mm tolerance for dimensions and setouts shown in product literature.