



features and benefits

- Grade 304 S.S. satin finish tub
- Grade 304 S.S. hinged bucket grate
- Large 12 gallon[46L] bowl capacity
- Adjustable support legs optional
- 2"[50] waste & wall brackets supplied
- Suits cleaner's rooms
- Optional splashback

about

The *BRITEX Stainless Steel Cleaner's Sink* consists of an extra large grade 304 stainless steel 12 gallon [46L] tub and a robust stainless steel hinged grate for support and storage of buckets. This is an extremely sturdy, heavy duty product designed to handle significant wear and tear. Available with wall brackets (Model CSB), or with wall brackets and adjustable front legs (Model CSL). Additional splashback optional.

sample spec. text

*BRITEX Cleaner's Sink - 24"[600]x20"[500]x10"[250] Deep. 12 gallon [46L] Bowl Capacity. Supplied with stainless steel bucket grate, wall brackets, **front legs** and 2"[50] waste outlet - Product Code US-CSX*

***RED TEXT** may denote a **variable** where one option only is to be selected, a **nominal dimension** that needs to be specified, or an **optional feature** that can be removed if not required. Please refer to the back of this page for additional specification details and options.

VISIT BRITEXUSA.COM TO DOWNLOAD THE MOST CURRENT PRODUCT LITERATURE.

CLEANER'S SINK

PRODUCT CODE

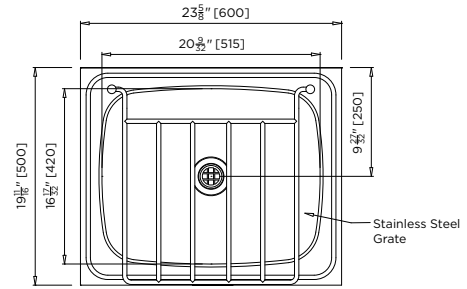
US-CSB with Wall Brackets only

US-CSL with Wall Brackets and Legs

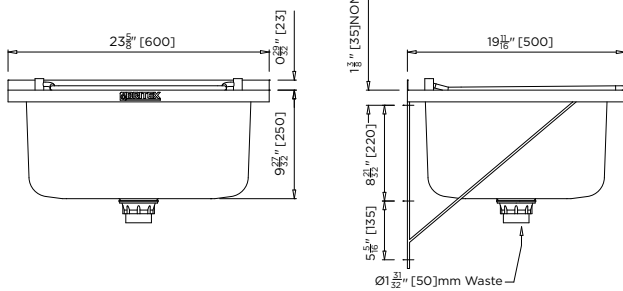
4.05

SINKS

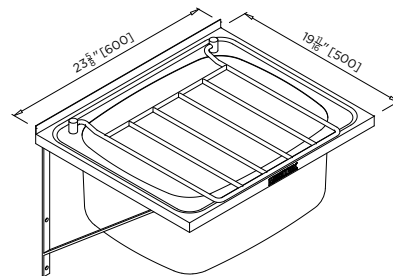
#US-CS / CLEANER'S SINK



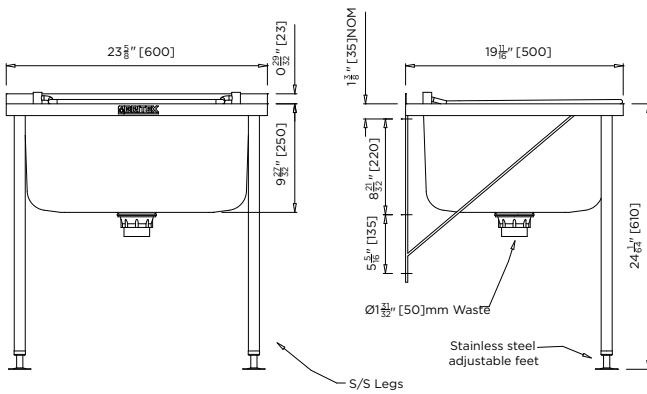
MODEL US-CSB/ US-CSL Plan



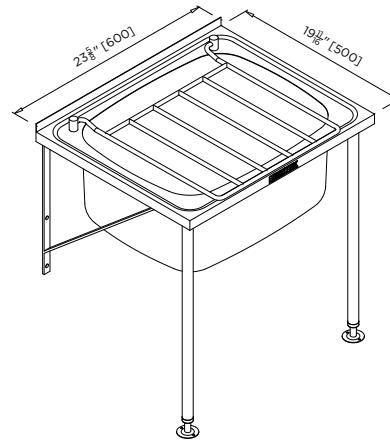
MODEL US-CSB Side and Front Elevation



MODEL US-CSB Isometric View



MODEL US-CSL Side and Front Elevation



MODEL US-CSL Isometric View

When specifying this product please include:

- Product **Name** and **Code**
- Product **Dimensions**
- **Mounting Type** (brackets and legs or wall brackets only)

specifying guide

options

- Splashback panel
- Support legs

VISIT BRITEXUSA.COM TO DOWNLOAD THE MOST CURRENT PRODUCT LITERATURE.



Due to ongoing research and our commitment to product development, details are subject to change without notice. Details accurate at time of print. Please refer to britexusa.com for the most current product information. Allow +/- 5mm tolerance for dimensions and setouts shown in product literature. All dimensions shown in inches ["] are of approximate value only.