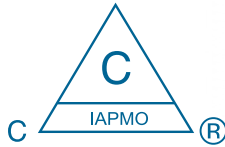


# SANISTEP URINAL

ASME: A112.19.2  
ASME: A112.19.3



*Image shows Floor Mounted Sanistep Urinal with front kick plate.*

*Recessed Model is supplied without a kick plate.*

## features and benefits

- High efficiency urinal
- 1.5L Water Consumption per stall length (600mm)
- Recessed or floor mounted models
- Vandal resistant design
- Manufactured to custom lengths
- Hinged grate for ease of cleaning
- Available in 'L' or 'U' shaped configurations
- Grade 304 SS (1.2mm -16/18 gauge)

## about

The *BRITEX Sanistep Urinal* is one of our most frequently specified stainless steel urinals. Manufactured from durable 1.2mm grade 304 stainless steel, Sanistep urinals are hand fabricated and fully welded with sturdy reinforcement to the rear, providing a sound structural finish. Sanistep urinals incorporate a hinged floor grate to allow for ease of cleaning and feature our unique weir style sparge, which enables the water to flush in an even flow with minimum water and maximum efficiency.

## sample spec. text

*BRITEX S.S. **Recessed/Floor Mounted** Sanistep Urinal UPC Certified to IGC 313 - **XXXX**mm Long. Complete with hinged floor grate - Product Code US-USAN*

\***RED TEXT** may denote a **variable** where one option only is to be selected, a **nominal dimension** that needs to be specified, or an **optional feature** that can be removed if not required. Please refer to the back of this page for additional specification details and options.

VISIT [BRITEXUSA.COM](http://BRITEXUSA.COM) TO DOWNLOAD THE MOST CURRENT PRODUCT LITERATURE.

# SANISTEP URINAL

PRODUCT CODE

## US-USAN

### HOW TO SPECIFY: Sanistep Urinal

#### Sample Specification Code

A    B    C    D    E    F  
**US-USAN - 1500 - RE - R - 100 - R**

= Sanistep Urinal, 1500mm Long, Recessed, Rear Entry, 100mm Right Hand Waste

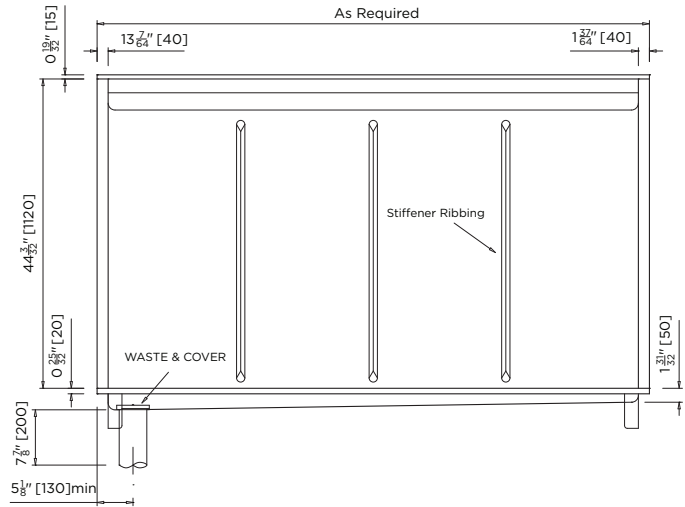
#### Specification Key

<b>A = Product Code</b>	<b>E = Waste Outlet Size</b>
<b>B = Urinal Length (mm)</b>	100 : 100mm
<b>C = Mounting Options</b>	75 : 75mm
FM : Floor Mounted	50 : 50mm
RE : Recessed	
<b>D = Entry Point</b>	<b>F = Waste Outlet Position</b>
T : Top Entry	L : Left Hand Waste
R : Rear Entry	R : Right Hand Waste
	C : Centre Waste

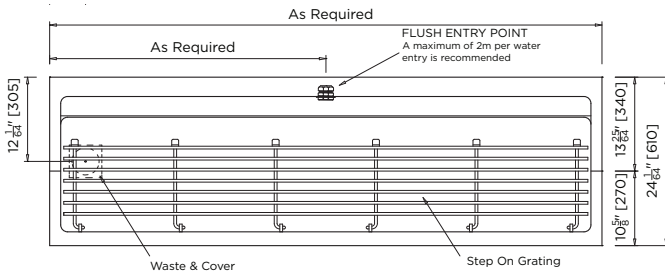
### Water Inlets for Urinals:

One water inlet is required for every 2000mm of Urinal, or part thereof.

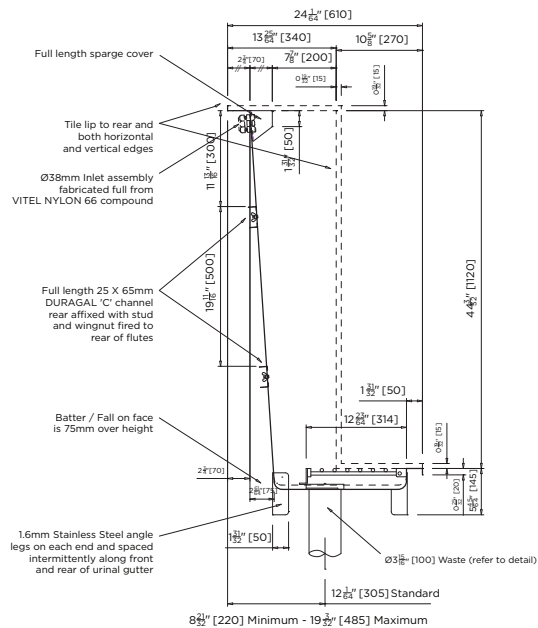
- e.g. 600mm - 2000mm = 1 inlet  
 2001mm - 4000mm = 2 inlets  
 4001mm - 6000mm = 3 inlets



MODEL US-USAN Front Elevation



MODEL US-USAN Plan



TYPICAL SECTION  
(Rear entry shown)

Recommended floor cut out for recessed model is 650W x 160D x Urinal Length

MODEL US-USAN Typical Section (Recessed Model)

### When specifying this product please include:

- Product Name and Code
- Product Length
- Recessed or Floor Mounted
- Top or rear Water Entry
- Size and position of Outlet



- 'L' and 'U' shaped configuration
- Outlet size: 100mm or 75mm
- Outlet position (left/right end preferred)
- Inlet size - 38mm or 25mm
- Free standing ends (if not between walls)
- Type 316 S.S.
- Joining strip for joining modular lengths

VISIT [BRITEXUSA.COM](http://BRITEXUSA.COM) TO DOWNLOAD THE MOST CURRENT PRODUCT LITERATURE.



Due to ongoing research and our commitment to product development, details are subject to change without notice. Details accurate at time of print. Please refer to [britex.com.au](http://britex.com.au) for the most current product information. Allow +/- 5mm tolerance for dimensions and setouts shown in product literature.