

SECURITY COMBINATION UNIT WITH WALL MOUNT PAN



features and benefits

- 1.6mm Grade 304 Satin Stainless Steel
- No ligature points
- Contraband-proof
- Concealed fixings
- Space-saving design
- Wall Mounted Pan for easy cleaning
- Ligature proof basin waste outlet
- 100mm high splashback
- Radiused edges for added safety
- Suits detention facilities, pubs and parks and recreation

about

BRITEX Stainless Steel Security Combination Units with Wall Mounted Pans are highly specified for correctional and prison projects due to their anti ligature, vandal and contraband proof features. This model incorporates a fully welded stainless steel wall mount style toilet pan and wash basin with radiused edges on both for added safety. The toilet pan has a contraband-proof flushing rim and one piece pressed bowl that provides water efficient flushing, mounted off the ground allows for easy of cleaning and hygiene. Numerous fixing points are provided for fixing to the floor and rear wall.

sample spec. text

BRITEX S.S. Security Combination Unit with Wall Mounted Pan - Incorporating security wall mount style pan and integral radiused basin with 100mm splashback - Product Code US-SCU-WM

*RED TEXT may denote a **variable** where one option only is to be selected, a **nominal dimension** that needs to be specified, or an **optional feature** that can be removed if not required. Please refer to the back of this page for additional specification details and options.

VISIT BRITEXUSA.COM TO DOWNLOAD THE MOST CURRENT PRODUCT LITERATURE.

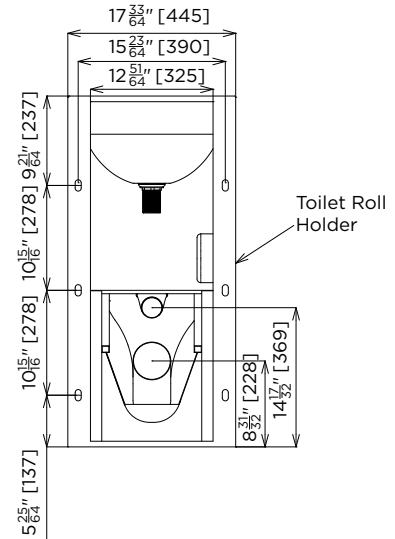
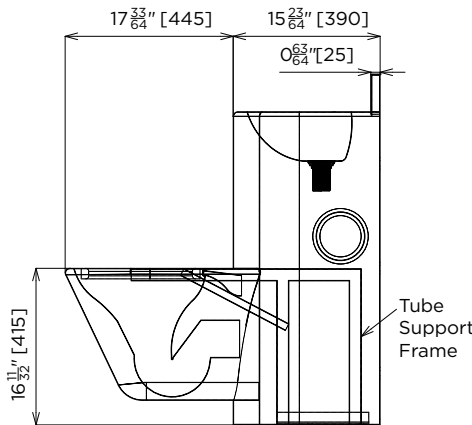
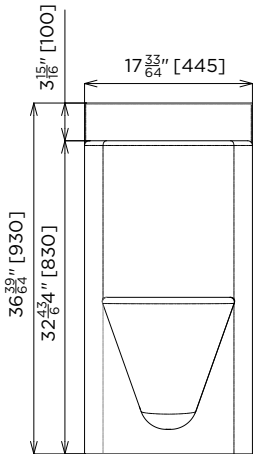
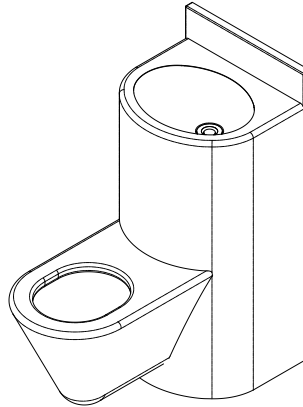
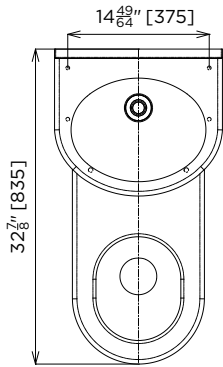
SECURITY COMBINATION UNIT WITH WALL MOUNT PAN

PRODUCT CODE

US-SCU-WM

BRITEX SECURITY RANGE

#US-SCU-WM / SECURITY COMBINATION UNIT WALL MOUNT PAN



When specifying this product please include:

- Product Name and Code
- Product Features / Options
- P or S Trap



VISIT BRITEXUSA.COM TO DOWNLOAD THE MOST CURRENT PRODUCT LITERATURE.



Due to ongoing research and our commitment to product development, details are subject to change without notice. Details accurate at time of print. Please refer to britex.com.au for the most current product information. Allow +/- 5mm tolerance for dimensions and setouts shown in product literature.