

DUAL SCRUB TROUGH

5.06

TROUGHS

#US-ST2 / DUAL SCRUB TROUGH



features and benefits

- Scrub-up wash station unit to suit two users
- Sloping front panel with lockable doors
- Fully closed-in construction
- Full length splash back with hob for mounting tapware
- Custom models available by request.
- Tap holes supplied to suit specified faucet/tapware
- 16 gauge grade 304 stainless steel construction
- Radius internal corners for easy cleaning
- Supplied with mounting brackets and waste outlets

about

The *BRITEX Stainless Steel Scrub Dual Trough* provides enough space for two users to undertake scrub up procedures simultaneously. Troughs to suit 3 or more users can be custom-fabricated where required. Please consult Britex.

sample spec. text

BRITEX S.S. Dual Scrub Trough - 60"[1524]L x 23"[584]W x 26"[660]D - Product Code US-ST2

*RED TEXT may denote a **variable** where one option only is to be selected, a **nominal dimension** that needs to be specified, or an **optional feature** that can be removed if not required. Please refer to the back of this page for additional specification details and options.

VISIT BRITEXUSA.COM TO DOWNLOAD THE MOST CURRENT PRODUCT LITERATURE.

DUAL SCRUB TROUGH

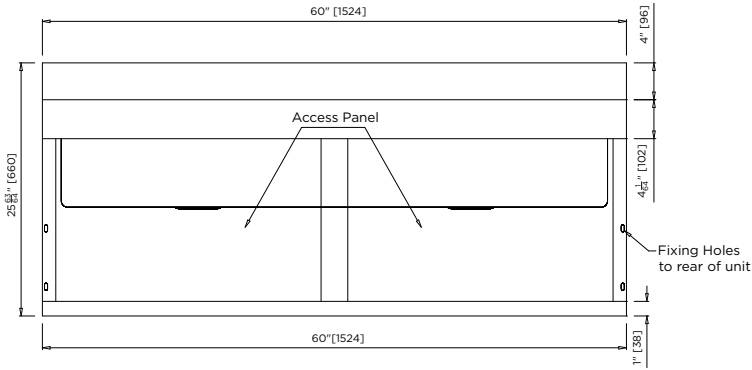
5.06

TROUGHS

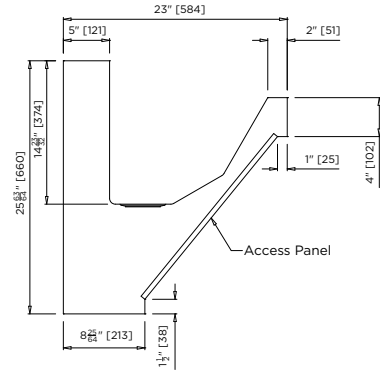
#US-ST2 / DUAL SCRUB TROUGH

PRODUCT CODE

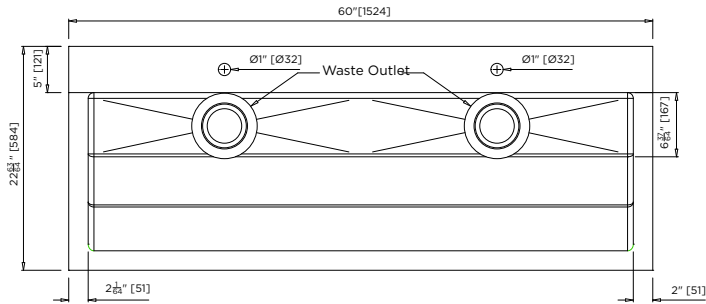
US-ST2



MODEL US-ST2 Front Elevation



MODEL US-ST2 Section



MODEL US-ST2 Plan



When specifying this product please include:

- Product **Name** and Code
- Product **Features**
- Product **Dimensions**

VISIT BRITEXUSA.COM TO DOWNLOAD THE MOST CURRENT PRODUCT LITERATURE.