



features  
and  
benefits

- Ultra vandal resistant
- Safety radius front edge
- Free of ligature points
- Contraband-proof flushing rim
- Concealed fixings
- Satin stainless finish
- Unique blockage resistant trap
- Option for permanently sealed access panels (maximum security projects)
- Suits detention facilities and public amenities

about

The *BRITEX Centurion Toilet Pan* is seamless, fully shrouded and manufactured from heavy gauge grade 304 satin S.S. making it easy to clean and providing optimal strength. Incorporating radius edges for added safety, a pressed internal bowl and unique trap design, the Centurion pan is extremely water efficient (4.5/3 litre) and much less susceptible to costly blockages in public amenities. Additionally, it incorporates a contraband-proof flushing rim and is free of ligature points making it ideal for installing in correctional facilities and holding cells. Access panels come standard on both sides of the pan for easy installation.

sample  
spec.  
text

*BRITEX S.S. Centurion Toilet Pan - S/P Trap, 14mm safety radius front edge, fully shrouded to rear wall and 2 x access panels - Product Code US-PCX*

\*RED TEXT may denote a **variable** where one option only is to be selected, a **nominal dimension** that needs to be specified, or an **optional feature** that can be removed if not required. Please refer to the back of this page for additional specification details and options.

VISIT [BRITEXUSA.COM](http://BRITEXUSA.COM) TO DOWNLOAD THE MOST CURRENT PRODUCT LITERATURE.

# CENTURION PAN

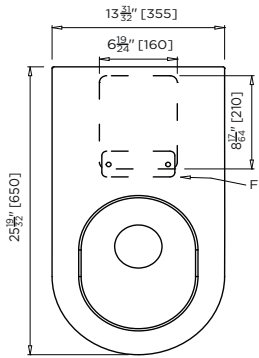
PRODUCT CODE

**US-PCS** S Trap Model

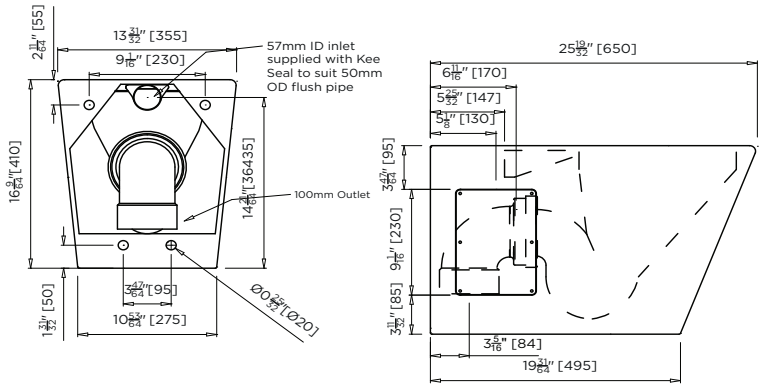
**US-PCP** P Trap Model

**MAXIMUM SECURITY MODEL AVAILABLE**

Add '-MS' to the end of the above product codes to specify a maximum security, rear access only model supplied with permanently sealed side access panels.

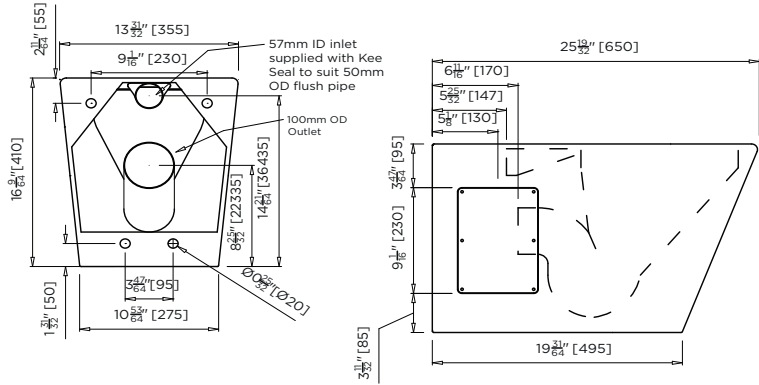


**Suggested Additional Fixing Materials:**  
4 x 12mm Threaded Rod w/ nuts & washers (by others)



MODEL US-PCS / US-PCP Plan

MODEL US-PCS Side and Rear Elevation



MODEL US-PCP Side and Rear Elevation

*When specifying this product please include:*



- Product Name and Code
- Product Dimensions
- Product Features / Options
- P or S Trap



- S or P trap configurations
- Top entry to suit wall mount cistern
- Permanently sealed access panels for maximum security projects

VISIT [BRITEXUSA.COM](http://BRITEXUSA.COM) TO DOWNLOAD THE MOST CURRENT PRODUCT LITERATURE.