



Scan QR code
to view online



features and benefits

- 14-gauge type 304 Stainless Steel (1.2mm -16/18 gauge)
- One piece pressing
- Integral, pressed foot stands
- Vandal resistant
- Can be installed flush or elevated off floor
- Supplied with water spreader

about

The *BRITEX Stainless Squat Pan* is designed to meet the growing demand for hygienic, vandal resistant sanitary fixtures in facilities catering to multicultural clientele. It can be installed flush with the floor to enable cleaning of the total floor area or on a raised plinth platform to squat.

sample spec. text

BRITEX Stainless Steel Squat Pan - 595 x 625mm O/A - Product Code US-PSQU

*RED TEXT may denote a **variable** where one option only is to be selected, a **nominal dimension** that needs to be specified, or an **optional feature** that can be removed if not required. Please refer to the back of this page for additional specification details and options.

VISIT BRITEXUSA.COM TO DOWNLOAD THE MOST CURRENT PRODUCT LITERATURE.

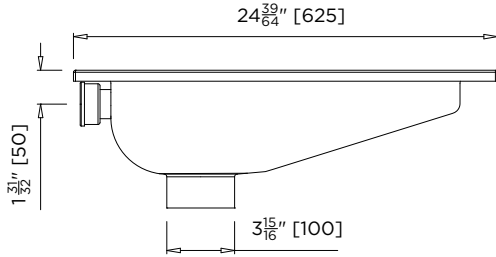
SQUAT PAN

PRODUCT CODE

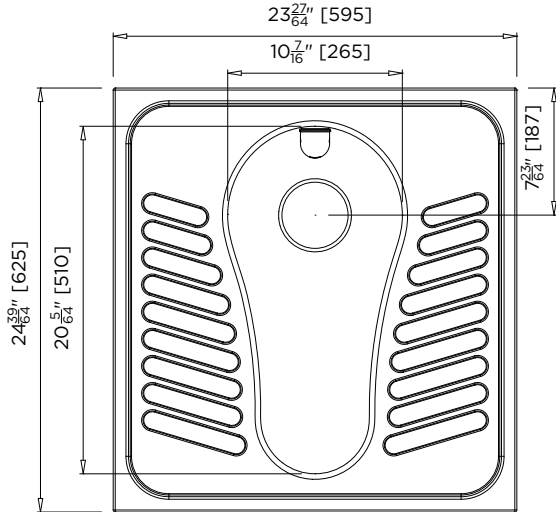
US-PSQU

2.06

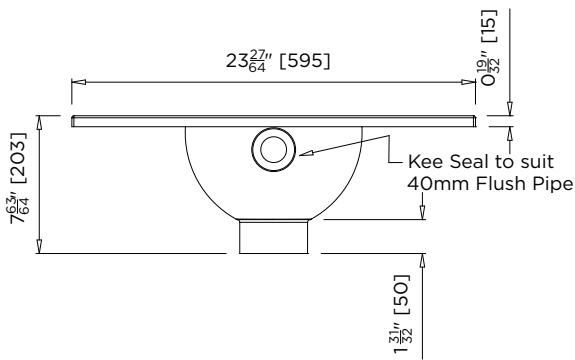
TOILETS



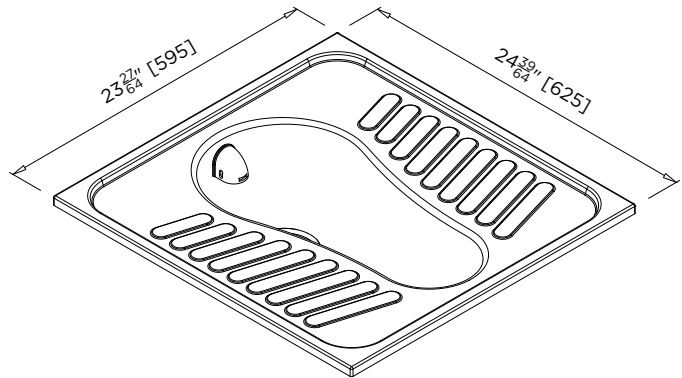
MODEL US-PSQU Side Elevation



MODEL US-PSQU Plan



MODEL US-PSQU Rear Elevation



MODEL US-PSQU Isometric View

When specifying this product please include:

- Product Name and Code
- Product Dimensions



#US-PSQU / SQUAT PAN

VISIT BRITEXUSA.COM TO DOWNLOAD THE MOST CURRENT PRODUCT LITERATURE.