

GRANDEUR HAND WASH BASIN

3.01

HAND BASINS

#US-HBGU / GRANDEUR HAND WASH BASIN



features and benefits

- Optimal vandal resistance
- Fully welded, seamless construction
- Completely concealed plumbing
- P trap installation
- No sharp edges or corners
- Grade 304 satin S.S.
- Stylish, modern design
- 40mm waste outlet
- Concealed fixings
- Front and rear fixed models
- 7 litre bowl capacity
- 1, 2 or 3 tap holes
- Optional anti-ligature waste
- Suits detention projects, holding cells, bars and parks and recreation

about

The *BRITEX Stainless Steel Grandeur Basin* is a stylish looking fixture that incorporates prison - grade vandal resistance. Key to its design is a fully welded, radiused front edge that conceals a solid 25mm stainless steel bar within - to ensure maximum resistance to any applied forces. A rounded profile above and below the basin also ensures there are no ligature points and all fixing points are concealed. Plumbing connections are secure within the stainless steel shroud that can incorporate an access panel if fixing from the front and an anti-ligature security waste is optional. Can be supplied with security tapware for maximum vandal resistance.

sample spec. text

*BRITEX S.S. Grandeur Hand Wash Basin - 450L x 400W x 300D O/A. **Front/Rear** fixed model. Complete with concealed 25mm S.S. reinforcement bar and rolled safety fascia, 40mm **security/polypropylene** waste outlet and **TW-SEC-01** tapware - Product Code HBGU-XX-TW-SEC-01*

***RED TEXT** may denote a **variable** where one option only is to be selected, a **nominal dimension** that needs to be specified, or an **optional feature** that can be removed if not required. Please refer to the back of this page for additional specification details and options.

VISIT BRITEXUSA.COM TO DOWNLOAD THE MOST CURRENT PRODUCT LITERATURE.

GRANDEUR HAND WASH BASIN

PRODUCT CODE

US-HBGU

HOW TO SPECIFY: Grandeur Hand Wash Basin

Sample Specification Code

A B C
US-HBGU - RF - TW-SEC-01

= Grandeur Hand Basin, Rear Fixed with Security Tap Set

Specification Key

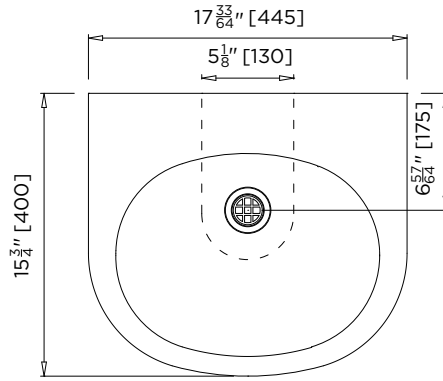
A = Product Code **C = Tapware - if required**
 (see below for suggested tapware options)

B = Fixing Method
RF : Rear Fixed (no access panel)
FF : Front Fixed (left hand access panel)

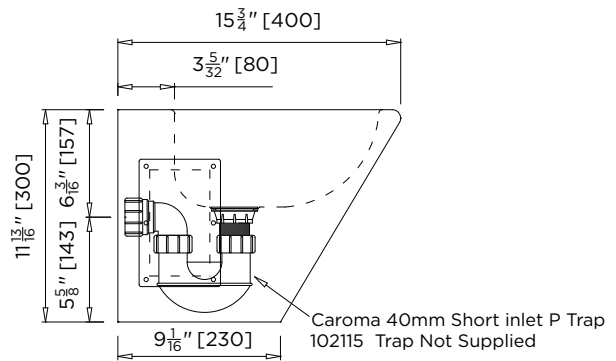
Suggested Tapware Options:



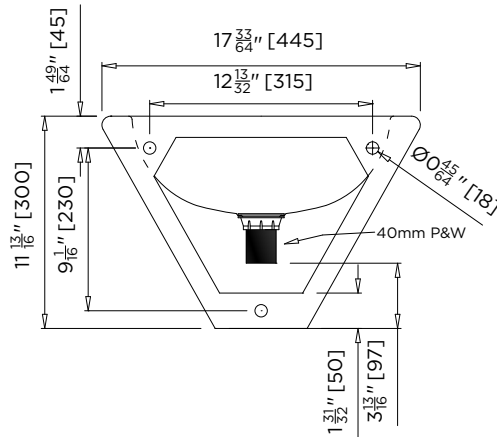
TW-SEC-01
 Security Tap Set
 (Cold Only)



MODEL US-HBGU Plan



MODEL US-HBGU Side Elevation



MODEL US-HBGU Rear Elevation

specifying
 guide

When specifying this product please include:

- Product **Name** and **Code**
- Product **Dimensions**
- **Tapware** details (if required)
- **Fixing Method** - Front or Rear
- **Waste Type** - Standard or Security

options

- Tap holes
- Tapware - TW-SEC-01
- Anti-ligature security waste
- Right/left hand access panel

VISIT BRITEXUSA.COM TO DOWNLOAD THE MOST CURRENT PRODUCT LITERATURE.